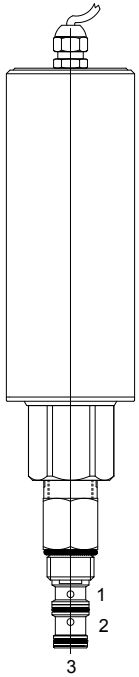


AF-PRP MOTORIZED PRESSURE REDUCING, RELIEVING VALVE



DESCRIPTION

10 size, 7/8-14 thread, "Delta" series, motorized adjustable pressure reducing, relieving valve, pilot operated.

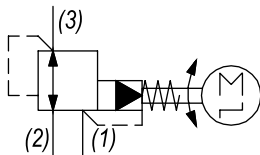
OPERATION

The AF-PRP can be adjusted to any position between fully open and fully closed applying electrical power to the motor. When a pre-determined pressure is reached at (3), the spool shifts to restrict input flow at (2), thereby reducing (restricting) flow. If valve and pressure at port (3) exceeds setting, spool shift to open passage at port (1), thereby regulating pressure at port (3) by relieving excess flow.

FEATURES

- Hardened parts for long life.
- Industry common cavity.

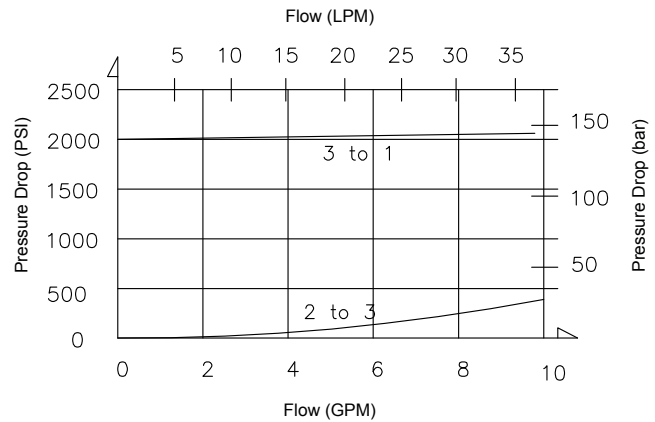
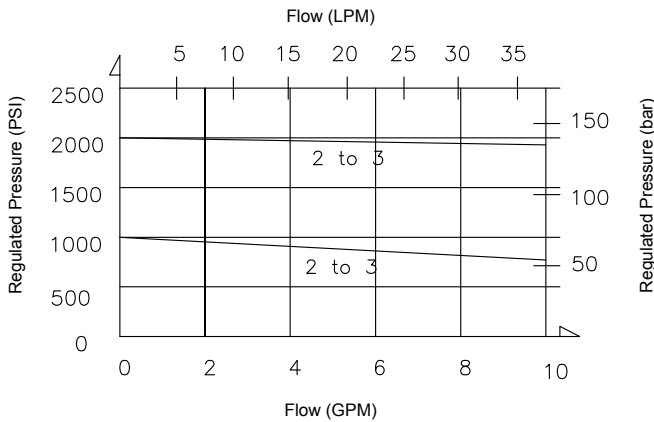
HYDRAULIC SYMBOL



PERFORMANCE

VALVE SPECIFICATIONS

Nominal Flow	10 GPM (38 LPM)
Rated Operating Pressure	4000 PSI (276 bar)
Viscosity Range	36 to 3000 SSU (3 to 647 cSt)
Filtration	ISO 18/16/13
Media Operating Temp. Range	-40° to 250°F (-40° to 120°C)
Weight	.59 lbs (.27 kg)
Operating Fluid Media	General Purpose Hydraulic Fluid
Cartridge Torque Requirements	30 ft-lbs (40.6 Nm)
Cavity	DELTA 3W
Cavity Tools Kit	
(form tool, reamer, tap)	40500001
Seal Kit	21191206



WARNING: the specifications/application data shown in our catalogs and data sheets are intended only as a general guide for the product described (herein). Any specific application should not be undertaken without independent study, evaluation, and testing for suitability.

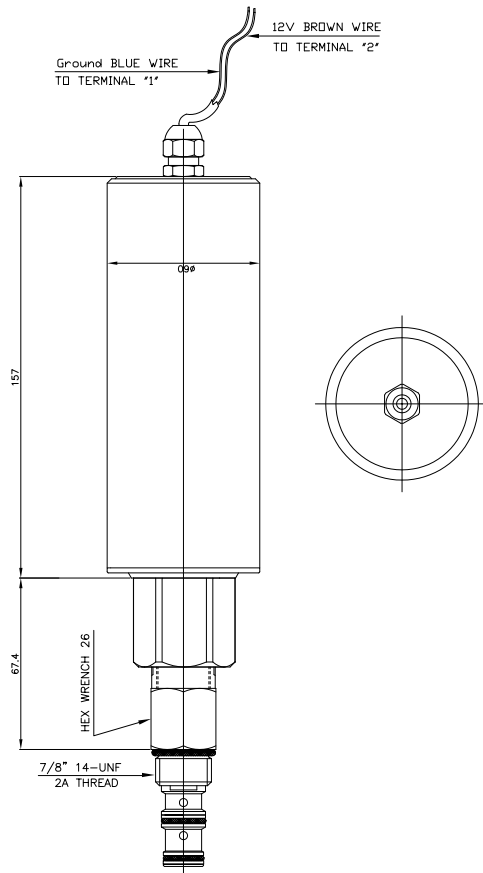


4484 Boeing Drive Rockford, IL 61109 • USA • Phone +1 (815) 397-6628 • Fax +1 (815) 397-2526
 mail: delta@delta-power.com • www.delta-power.com



Via Malavolti, 36 • 41122 Modena • ITALY • Phone +39 (059) 254895 • Fax +39 (059) 253512
 mail: tecnord@tecnord.com • www.tecnord.com

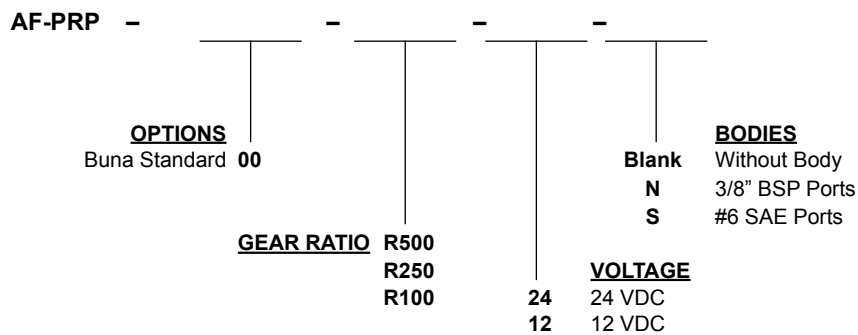
DIMENSIONS



Gear ratio	Response time (full closed to full open)
100	7 sec.
250	14 sec.
500	28 sec.

(for bodies style and sizes see section "Accessories")

ORDERING INFORMATION



W7 / 2017

WARNING: the specifications/application data shown in our catalogs and data sheets are intended only as a general guide for the product described (herein). Any specific application should not be undertaken without independent study, evaluation, and testing for suitability.



4484 Boeing Drive Rockford, IL 61109 • USA • Phone +1 (815) 397-6628 • Fax +1 (815) 397-2526
 mail: delta@delta-power.com • www.delta-power.com



Via Malavolti, 36 • 41122 Modena • ITALY • Phone +39 (059) 254895 • Fax +39 (059) 253512
 mail: tecnord@tecnord.com • www.tecnord.com