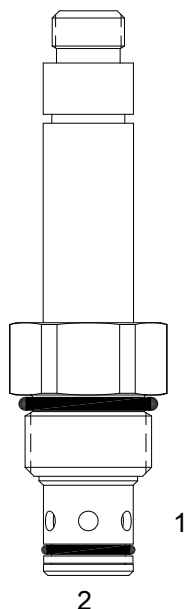


HE-S2B PILOT OPERATED POPPET, 2 WAY NORMALLY CLOSED



DESCRIPTION

"High Pressure" 10 size, 7/8-14 thread, "Delta" series, solenoid operated, 2 way normally closed, pilot operated poppet valve with reverse flow energized and de-energized.

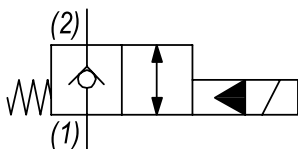
OPERATION

When de-energized the HE-S2B acts as a check valve, allowing flow to pass from (2) to (1), while blocking flow from (1) to (2). When energized the valve opens allowing flow to pass from (1) to (2).

FEATURES

- Hardened parts for long life.
- Efficient wet-armature construction.
- Cartridges are voltage interchangeable.
- Industry common cavity.
- Unitized, molded coil design.
- Continuous duty rated solenoid.
- Optional coil voltages and terminations.
- Optional "I" Coil: Weatherproof, Thermal Shock, Immersion Safe.

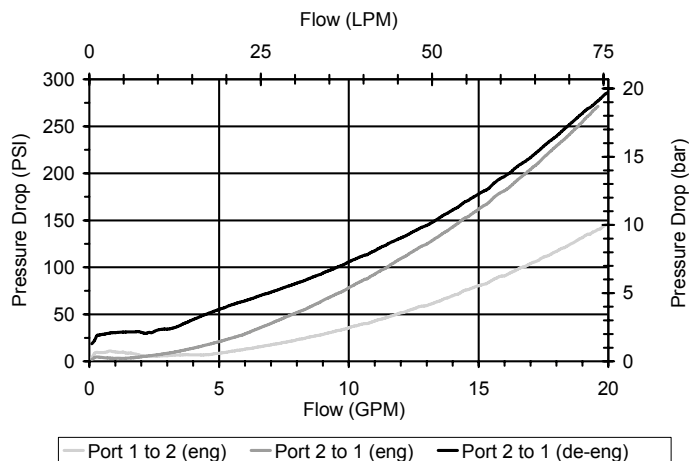
HYDRAULIC SYMBOL



Uses "L" Coil.

PERFORMANCE

Actual Test Data (Cartridge Only)



VALVE SPECIFICATIONS

Nominal Flow	15 GPM (57 LPM)
Rated Operating Pressure	4000 PSI (276 bar)
Typical Internal Leakage (150 SSU)	0-5 drops/min
Viscosity Range	36 to 3000 SSU (3 to 647 cSt)
Filtration	ISO 18/16/13
Media Operating Temp. Range	-40° to 250°F (-40° to 120°C)
Weight	.39 lbs (.17 kg)
Operating Fluid Media	General Purpose Hydraulic Fluid
Cartridge Torque Requirements	50 ft-lbs (67.8 Nm)
Coil Nut Torque Requirements	4-6 ft-lbs (5.4-8.1 Nm)
Cavity	DELTA 2W
Cavity Tools Kit	
(form tool, reamer, tap)	40500000
Seal Kit	21191200

WARNING: the specifications/application data shown in our catalogs and data sheets are intended only as a general guide for the product described (herein). Any specific application should not be undertaken without independent study, evaluation, and testing for suitability.

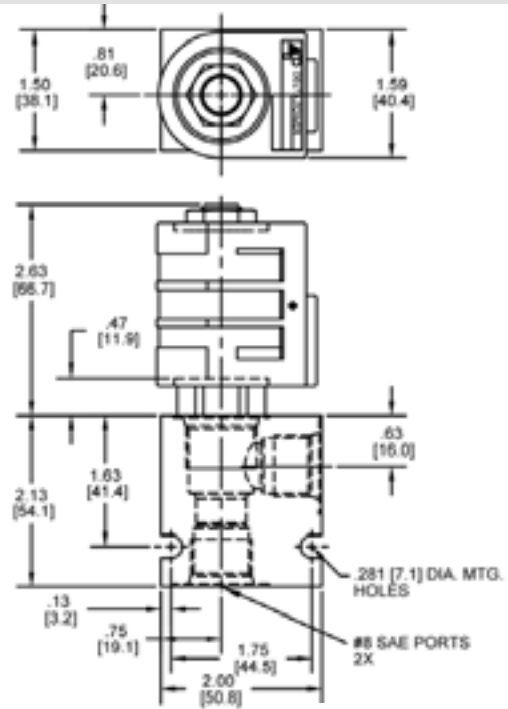
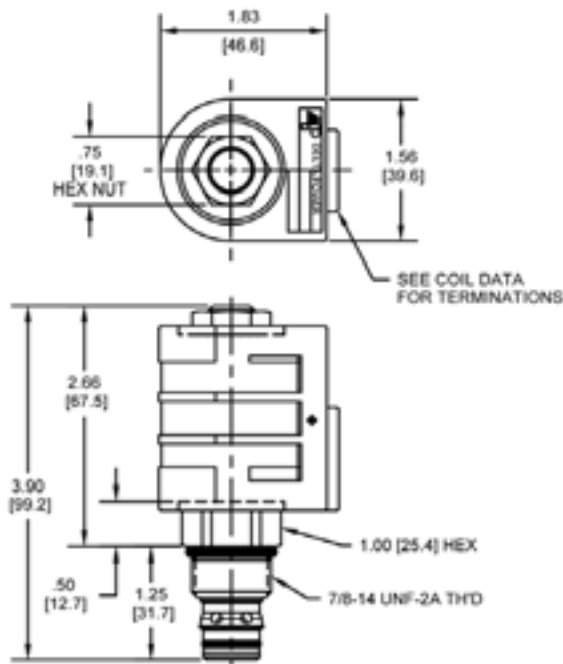


4484 Boeing Drive Rockford, IL 61109 • USA • Phone +1 (815) 397-6628 • Fax +1 (815) 397-2526
mail: delta@delta-power.com • www.delta-power.com



Via Malavolti, 36 • 41122 Modena • ITALY • Phone +39 (059) 254895 • Fax +39 (059) 253512
mail: tecnord@tecnord.com • www.tecnord.com

DIMENSIONS



ORDERING INFORMATION

Approximate Coil Weight: .68 lbs (.31 kg)

HE-S2B - - - -

- OPTIONS**
 Buna Standard **00**
 Viton Standard **V0**

- BODIES**
 Blank Without Body
N 3/8 NPTF Ports
S #8 SAE Ports

Note: Aluminum, NOT durability rated for 4000 PSI. Consult factory for body options.

VOLTAGE

- 06** 6 VDC
12 12 VDC
24 24 VDC
36 36 VDC
48 48 VDC
25 25 VAC
11 120 VAC
22 220 VAC
44 440 VAC

“L” COIL TERMINATION
 (All DC Except as Noted)

- DL** Double Lead
DT Deutsch on Leads DT04-2P
ML Metri-Pack on Leads
PL Packard on Leads
WL Weatherpack on Leads

- SS** Single Spade
DS Double Spade
HC DIN 43650 (Hirschmann) - (AC&DC)
CL Conduit Lead - (AC Only)
DI Deutsch - Integral DT04-2P

- IA** “I” Coil AMP Superseal - Integral
ID “I” Coil Deutsch - Integral DT04-2P
IJ “I” Coil AMP Jr. Timer - Integral
IM “I” Coil Metri-Pack - Integral

IMMERSION PROOF “L” TYPE

W 40 / 2017

WARNING: the specifications/application data shown in our catalogs and data sheets are intended only as a general guide for the product described (herein). Any specific application should not be undertaken without independent study, evaluation, and testing for suitability.



4484 Boeing Drive Rockford, IL 61109 • USA • Phone +1 (815) 397-6628 • Fax +1 (815) 397-2526
 mail: delta@delta-power.com • www.delta-power.com



Via Malavolti, 36 • 41122 Modena • ITALY • Phone +39 (059) 254895 • Fax +39 (059) 253512
 mail: tecnord@tecnord.com • www.tecnord.com