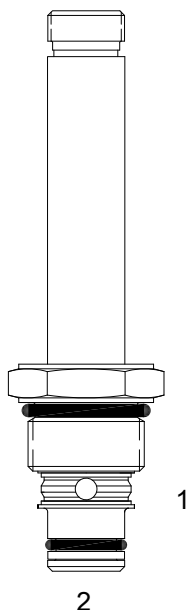


PB-S2D PILOT OPERATED POPPET, 2 WAY NORMALLY OPEN



DESCRIPTION

8 size, 3/4-16 thread, "Power" series, solenoid operated, 2 way normally open, pilot operated poppet valve with free reverse flow energized and de-energized.

OPERATION

When de-energized the PB-S2D allows flow from (1) to (2) or (2) to (1).

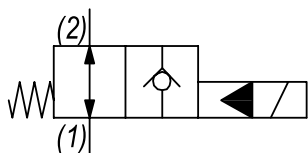
When energized the valve blocks flow from (1) to (2) and allows flow from (2) to (1).

OPERATION OF MANUAL OVERRIDE OPTION: to override, turn the manual override screw clockwise. To release turn the manual override screw counterclockwise.

FEATURES

- Hardened parts for long life.
- Efficient wet-armature construction.
- Cartridges are voltage interchangeable.
- Manual override option.
- Industry common cavity.
- Unitized, molded coil design.
- Continuous duty rated solenoid.
- Optional coil voltages and terminations.
- Optional "I" Coil: Weatherproof, Thermal Shock, Immersion Safe.

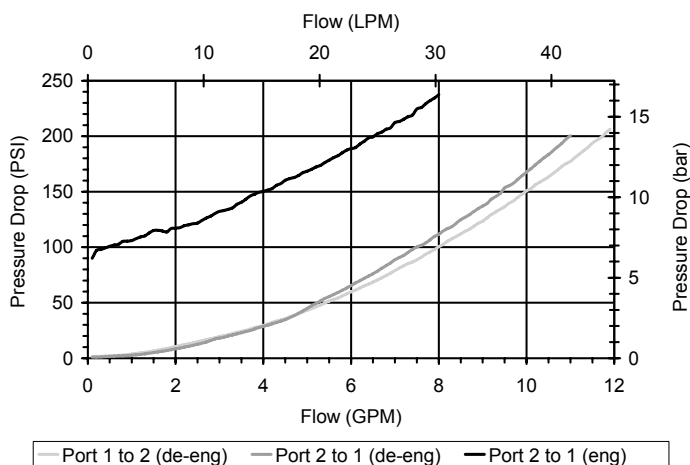
HYDRAULIC SYMBOL



Unshifted limit of 10 GPM (38 LPM) from (1) to (2) energized and from (2) to (1) de-energized. For shifted flow performance consult chart.

PERFORMANCE

Actual Test Data (Cartridge Only)



VALVE SPECIFICATIONS

Nominal Flow	10 GPM (38 LPM)
Rated Operating Pressure	3500 PSI (241 bar)
Typical Internal Leakage (150 SSU)	0-5 drops/min
Viscosity Range	36 to 3000 SSU (3 to 647 cSt)
Filtration	ISO 18/16/13
Media Operating Temp. Range	-40° to 250°F (-40° to 120°C)
Weight	.22 lbs (.10 kg)
Operating Fluid Media	General Purpose Hydraulic Fluid
Cartridge Torque Requirements	25 ft-lbs (34 Nm)
Coil Nut Torque Requirements	4-6 ft-lbs (5.4-8.1 Nm)
Cavity	POWER 2W
Cavity Tools Kit	
(form tool, reamer, tap)	40500005
Seal Kit	21191100

WARNING: the specifications/application data shown in our catalogs and data sheets are intended only as a general guide for the product described (herein). Any specific application should not be undertaken without independent study, evaluation, and testing for suitability.

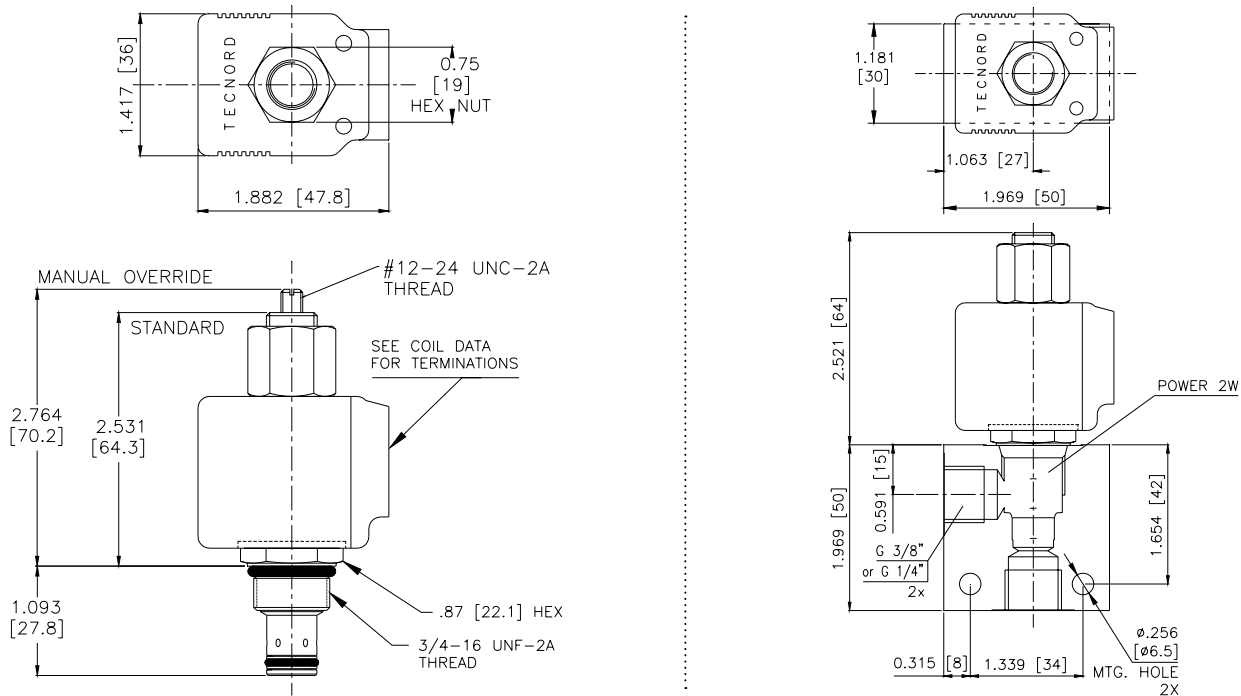


4484 Boeing Drive Rockford, IL 61109 • USA • Phone +1 (815) 397-6628 • Fax +1 (815) 397-2526
mail: delta@delta-power.com • www.delta-power.com



Via Malavolti, 36 • 41122 Modena • ITALY • Phone +39 (059) 254895 • Fax +39 (059) 253512
mail: tecnord@tecnord.com • www.tecnord.com

DIMENSIONS



ORDERING INFORMATION

Approximate Coil Weight: .42 lbs (.19 kg)

PB-S2D

- OPTIONS**
- Buna Standard **00**
 - Viton Standard **V0**
 - Buna, Override, Detent **0M**
 - Viton, Override, Detent **VM**
 - Buna, Override, Knob **0K**
 - Viton, Override, Knob **VK**
 - Buna, Screen **A0**
 - Viton, Screen **W0**
 - Buna, Screen, Override **B2**
 - Viton, Screen, Override **V2**
 - Buna, Screen, Override, Knob **B5**
 - Viton, Screen, Override, Knob **V5**

Note: use screen only if flow direction is from (1) to (2)

- BODIES**
- Blank Without Body
 - N** 1/4" BSP Ports
 - N1** 3/8" BSP Ports
 - S** #6 SAE Ports

- VOLTAGE** (other voltages available on request)
- 12** 12 VDC
 - 24** 24 VDC
 - 22** 220 VAC with molded full wave rectifier

"P" TYPE "J" COIL TERMINATION

- JA** "J" Coil AMP Superseal - Integral
- JD** "J" Coil Deutsch - Integral DT04-2P
- JJ** "J" Coil AMP Jr. Time - Integral
- JL** "J" Coil Double Lead
- JH** "J" Coil DIN 43650 (Hirschmann)

W 40 / 2017

WARNING: the specifications/application data shown in our catalogs and data sheets are intended only as a general guide for the product described (herein). Any specific application should not be undertaken without independent study, evaluation, and testing for suitability.



4484 Boeing Drive Rockford, IL 61109 • USA • Phone +1 (815) 397-6628 • Fax +1 (815) 397-2526
 mail: delta@delta-power.com • www.delta-power.com



Via Malavolti, 36 • 41122 Modena • ITALY • Phone +39 (059) 254895 • Fax +39 (059) 253512
 mail: tecnord@tecnord.com • www.tecnord.com