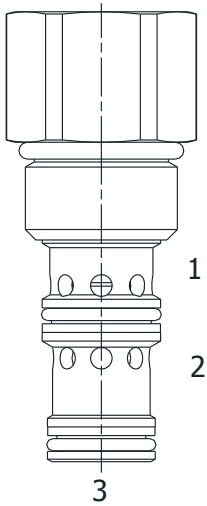


**HF-PDE PILOTED DIRECTIONAL VALVE, NORMALLY CLOSED, EXTERNAL PILOT**



**DESCRIPTION**

10 size, 7/8-14 thread, "Delta" series, external pilot normally closed, piloted directional valve.

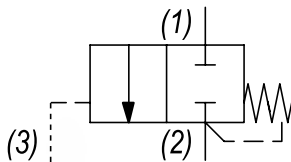
**OPERATION**

The HF-PDE blocks flow at ports (2) and (1). On attainment of a predetermined pressure at (3) the valve shifts to allow flow from (1) to (2).

**FEATURES**

- Hardened parts for long life.
- Industry common cavity

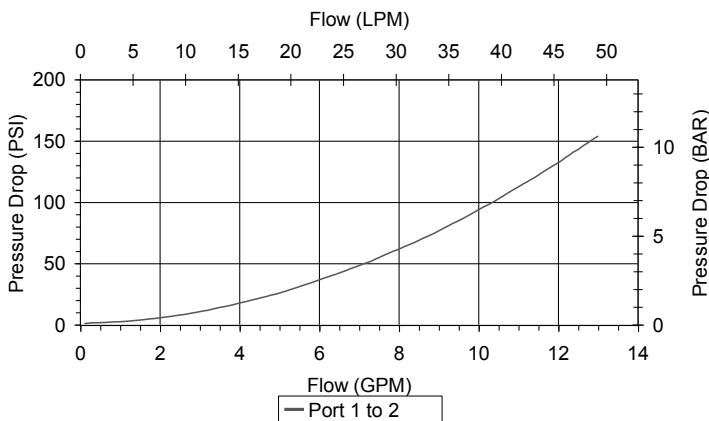
**HYDRAULIC SYMBOL**



.030 to .060 diameter orifice recommended beneath port (3).

**PERFORMANCE**

Actual Test Data (Cartridge Only)



**VALVE SPECIFICATIONS**

Nominal Flow	10 GPM (38 LPM)
Rated Operating Pressure	4000 PSI (276 bar)
Typical Internal Leakage (150 SSU)	8 cu in/min (82 ml/min)
Viscosity Range	36 to 3000 SSU (3 to 647 cSt)
Filtration	ISO 18/16/13
Media Operating Temp. Range	-40° to 250°F (-40° to 120°C)
Weight	.57 lbs (.26 kg)
Operating Fluid Media	General Purpose Hydraulic Fluid
Cartridge Torque Requirements	40 ft-lbs (40.6 Nm)
Cavity	DELTA 3W
Cavity Form Tool (Finishing)	40500001
Seal Kit	21191206

**WARNING:** the specifications/application data shown in our catalogs and data sheets are intended only as a general guide for the product described (herein). Any specific application should not be undertaken without independent study, evaluation, and testing for suitability.

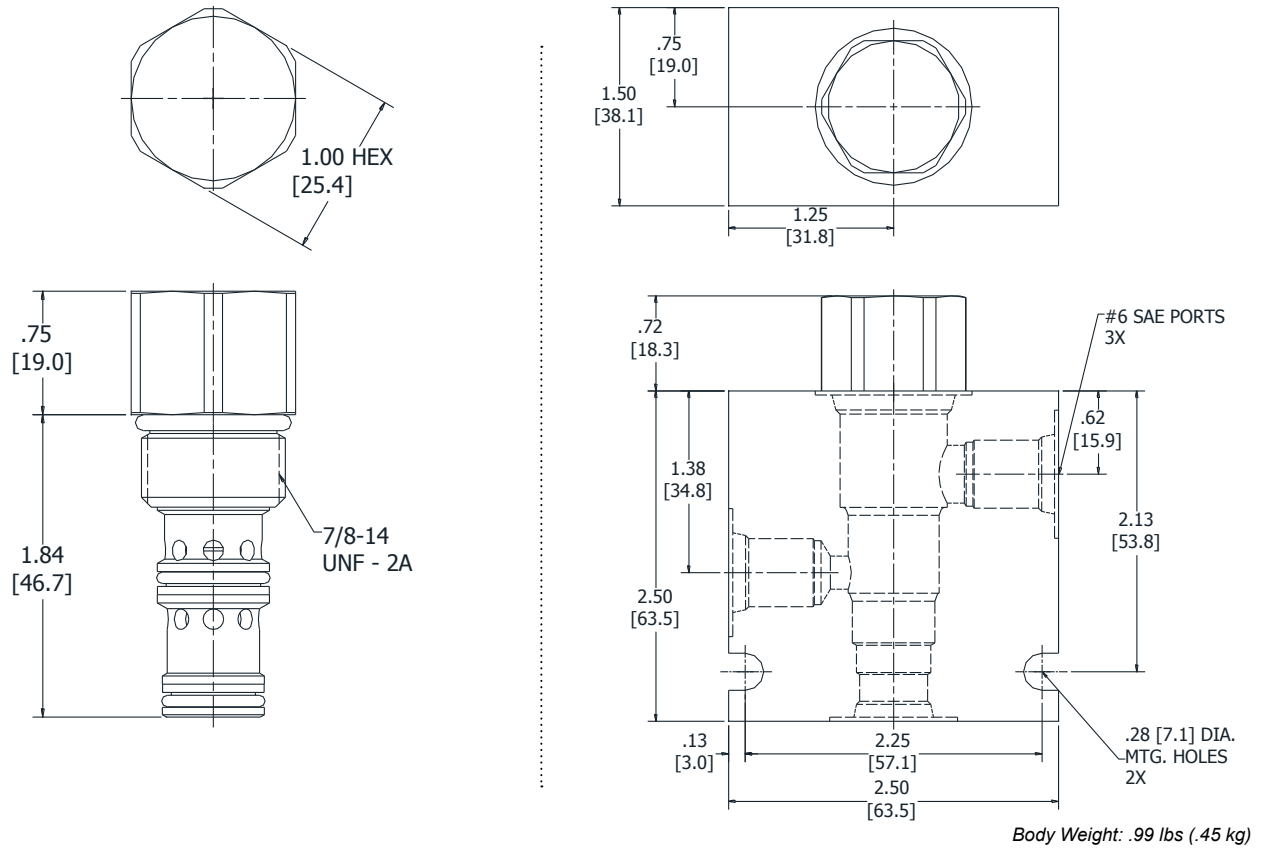


4484 Boeing Drive Rockford, IL 61109 • USA • Phone +1 (815) 397-6628 • Fax +1 (815) 397-2526  
mail: delta@delta-power.com • www.delta-power.com



Via Malavolti, 36 • 41122 Modena • ITALY • Phone +39 (059) 254895 • Fax +39 (059) 253512  
mail: tecnord@tecnord.com • www.tecnord.com

**DIMENSIONS**



**ORDERING INFORMATION**

<b>HF-PDE</b>	-	-	-	-	
<b>OPTIONS</b>				<b>BODIES</b>	
Buna Standard	00			Blank	Without Body
Viton Standard	V0			N	1/4" NPTF Ports
				S	#6 SAE Ports
				<b>PRESSURE SETTINGS</b>	
				0050	50 PSI
				0095	95 PSI
				0165	165 PSI

W 40 / 2017

**WARNING:** the specifications/application data shown in our catalogs and data sheets are intended only as a general guide for the product described (herein). Any specific application should not be undertaken without independent study, evaluation, and testing for suitability.



4484 Boeing Drive Rockford, IL 61109 • USA • Phone +1 (815) 397-6628 • Fax +1 (815) 397-2526  
 mail: delta@delta-power.com • www.delta-power.com



Via Malavolti, 36 • 41122 Modena • ITALY • Phone +39 (059) 254895 • Fax +39 (059) 253512  
 mail: tecnord@tecnord.com • www.tecnord.com