

DE-MCB MANUAL POPPET VALVE, 2 WAY NORMALLY CLOSED, PULL, DETENT

DESCRIPTION

10 size, 7/8-14 thread, "Delta" series, manual poppet valve, 2 way normally closed, pull with detent.

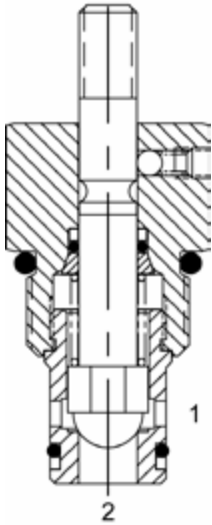
OPERATION

The DE-MCB blocks flow from (1) to (2) until an operator pulls the shaft outward. The bias spring allows for backpressure at (2) before the valve will open (see option page for pressure).

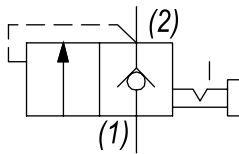
Note: pressure at port (2) will directly act on the spool and spring. Port (2) is intended to be a tank port only.

FEATURES

- Hardened parts for long life.
- Industry common cavity.
- Optional bias springs for backpressure application flexibility.



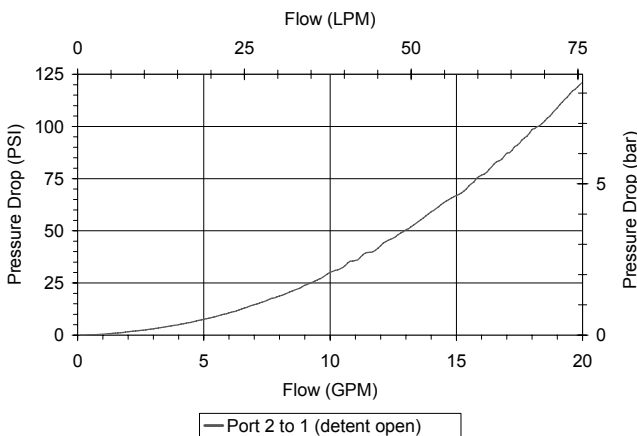
HYDRAULIC SYMBOL



65 PSI bias provides comfortable effort where return line is near zero. 160 PSI option may be difficult to pull, if tank pressure is near zero. Pressure above SPRING BIAS PRESSURE at port (2) may cause valve to self open.

PERFORMANCE

Actual Test Data (Cartridge Only)



VALVE SPECIFICATIONS

| | |
|------------------------------------|---------------------------------|
| Nominal Flow | 20 GPM (76 LPM) |
| Rated Operating Pressure | 3500 PSI (241 bar) |
| Typical Internal Leakage (150 SSU) | 5 drops/min |
| Viscosity Range | 36 to 3000 SSU (3 to 647 cSt) |
| Filtration | ISO 18/16/13 |
| Media Operating Temp. Range | -40° to 250°F (-40° to 120°C) |
| Weight | .28 lbs (.13 kg) |
| Operating Fluid Media | General Purpose Hydraulic Fluid |
| Cartridge Torque Requirements | 30 ft-lbs (40.6 Nm) |
| Cavity | DELTA 2W |
| Cavity Form Tool (Finishing) | 40500000 |
| Seal Kit | 21191200 |

WARNING: the specifications/application data shown in our catalogs and data sheets are intended only as a general guide for the product described (herein). Any specific application should not be undertaken without independent study, evaluation, and testing for suitability.

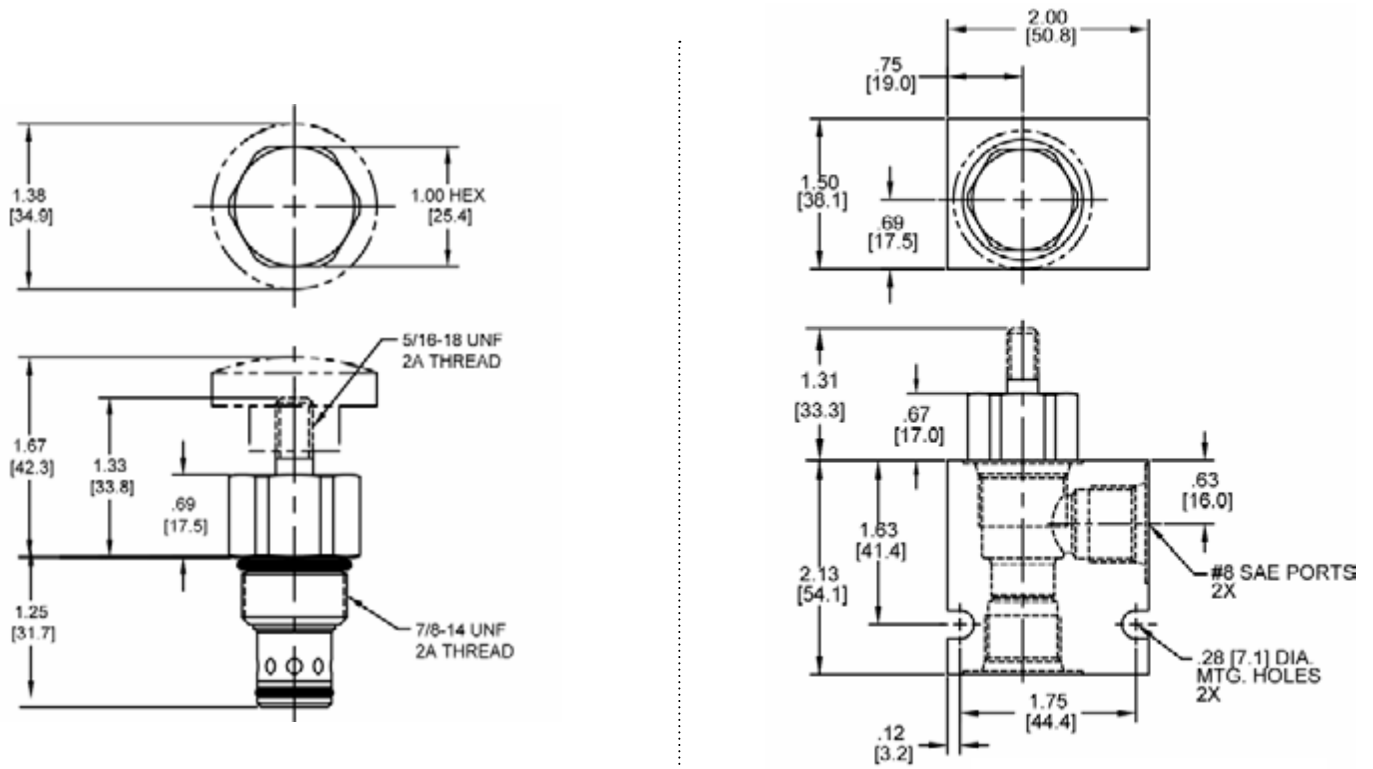


4484 Boeing Drive Rockford, IL 61109 • USA • Phone +1 (815) 397-6628 • Fax +1 (815) 397-2526
mail: delta@delta-power.com • www.delta-power.com



Via Malavolti, 36 • 41122 Modena • ITALY • Phone +39 (059) 254895 • Fax +39 (059) 253512
mail: tecnord@tecnord.com • www.tecnord.com

DIMENSIONS



Body Weight: .47 lbs (.21 kg)

ORDERING INFORMATION

DE-MCB - - -

OPTIONS

- Buna Standard **00**
- Viton Standard **V0**
- Buna, Screen **A0**
- Viton, Screen **W0**
- Buna, Knob **0K**
- Viton, Knob **VK**
- Buna, Knob, Screen **AK**
- Viton, Knob, Screen **WK**

BODIES

- Blank Without Body
- N** 3/8" NPTF Ports
- S** #8 SAE Ports

SPRING BIAS PRESSURE

- 0065** 65 PSI
- 0160** 160 PSI

Note: use screen only if flow direction is from (1) to (2).

Note: pressure above SPRING BIAS PRESSURE at port (2) may cause valve to self open.

W 40 / 2017

WARNING: the specifications/application data shown in our catalogs and data sheets are intended only as a general guide for the product described (herein). Any specific application should not be undertaken without independent study, evaluation, and testing for suitability.



4484 Boeing Drive Rockford, IL 61109 • USA • Phone +1 (815) 397-6628 • Fax +1 (815) 397-2526
 mail: delta@delta-power.com • www.delta-power.com



Via Malavolti, 36 • 41122 Modena • ITALY • Phone +39 (059) 254895 • Fax +39 (059) 253512
 mail: tecnord@tecnord.com • www.tecnord.com