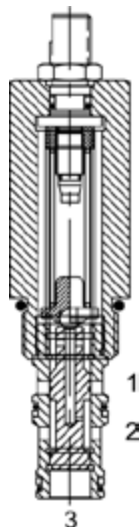


**DF-PWE SEQUENCE VALVE, NORMALLY CLOSED, EXTERNAL PILOT**



**DESCRIPTION**

10 size, 7/8-14 thread, "Delta" series, external pilot normally closed, sequence valve.

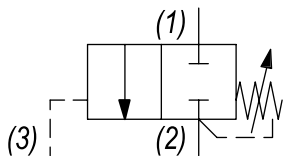
**OPERATION**

The DF-PWE blocks flow at ports (2) and (1). On attainment of a predetermined pressure at (3) the valve shifts to allow flow from (1) to (2).

**FEATURES**

- Hardened parts for long life.
- Optional spring ranges to 1500 PSI (103 bar).
- Industry common Cavity.

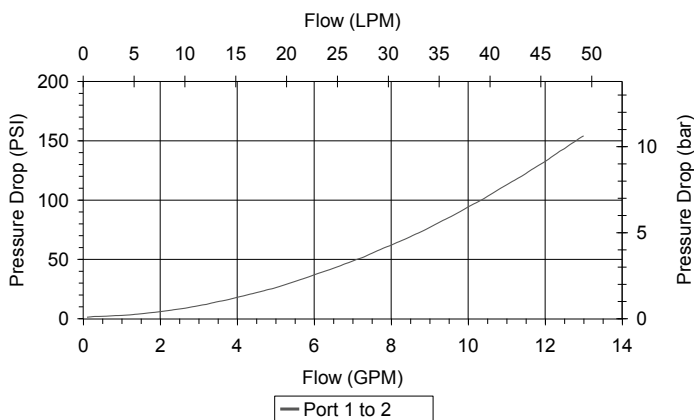
**HYDRAULIC SYMBOL**



Orifice .030 to .060 diameter recommended beneath port (3).

**PERFORMANCE**

Actual Test Data (Cartridge Only)



**VALVE SPECIFICATIONS**

Nominal Flow	10 GPM (38 LTR/M)
Rated Operating Pressure	3000 PSI (207 bar)
Typical Internal Leakage (150 SSU)	5 cu in/min (82 ml/min)
Viscosity Range	36 to 3000 SSU (3 to 647 cSt)
Filtration	ISO 18/16/13
Media Operating Temp. Range	-40° to 250°F (-40° to 120°C)
Weight	.57 lbs (.26 kg)
Operating Fluid Media	General Purpose Hydraulic Fluid
Cartridge Torque Requirements	30 ft-lbs (40.6 Nm)
Cavity	DELTA 3W
Cavity Form Tool (Finishing)	40500001
Seal Kit	21191206

**WARNING:** the specifications/application data shown in our catalogs and data sheets are intended only as a general guide for the product described (herein). Any specific application should not be undertaken without independent study, evaluation, and testing for suitability.

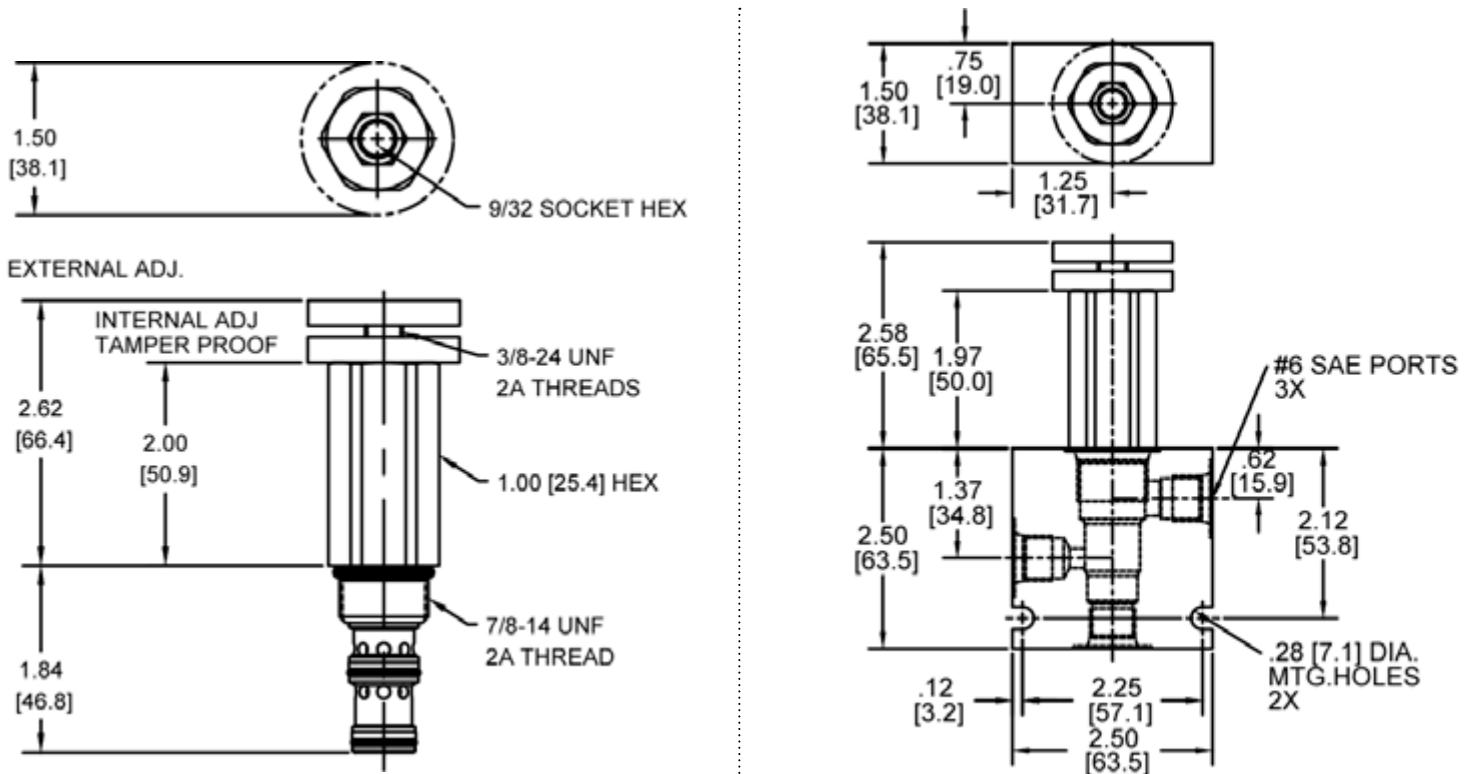


4484 Boeing Drive Rockford, IL 61109 • USA • Phone +1 (815) 397-6628 • Fax +1 (815) 397-2526  
 mail: delta@delta-power.com • www.delta-power.com



Via Malavolti, 36 • 41122 Modena • ITALY • Phone +39 (059) 254895 • Fax +39 (059) 253512  
 mail: tecnord@tecnord.com • www.tecnord.com

**DIMENSIONS**



Body Weight: .76 lbs (.35 kg)

**ORDERING INFORMATION**

<p><b>DF-PWE</b> - - - -</p> <p><b>OPTIONS</b></p> <ul style="list-style-type: none"> <li>Buna Standard <b>00</b></li> <li>Viton Standard <b>V0</b></li> <li>Buna, Knob <b>0K</b></li> <li>Viton, Knob <b>VK</b></li> <li>Buna, Internal Adjust <b>0I</b></li> <li>Viton, Internal Adjust <b>VI</b></li> <li>Buna, Tamper Proof <b>0T</b></li> <li>Viton, Tamper Proof <b>VT</b></li> </ul>	<p><b>BODIES</b></p> <ul style="list-style-type: none"> <li><b>Blank</b> Without Body</li> <li><b>N</b> 1/4" NPTF Ports</li> <li><b>S</b> #6 SAE Ports</li> </ul>
<p><b>SPRING BIAS</b></p> <ul style="list-style-type: none"> <li><b>0425</b> 50-425 PSI</li> <li><b>1500</b> 425-1500 PSI</li> </ul>	

**Tamper Proof**  
 Fill in 4 Digit Pressure Setting  
 Example: 0500 - 500 PSI

W 40 / 2017

**WARNING:** the specifications/application data shown in our catalogs and data sheets are intended only as a general guide for the product described (herein). Any specific application should not be undertaken without independent study, evaluation, and testing for suitability.



4484 Boeing Drive Rockford, IL 61109 • USA • Phone +1 (815) 397-6628 • Fax +1 (815) 397-2526  
 mail: delta@delta-power.com • www.delta-power.com



Via Malavolti, 36 • 41122 Modena • ITALY • Phone +39 (059) 254895 • Fax +39 (059) 253512  
 mail: tecnord@tecnord.com • www.tecnord.com