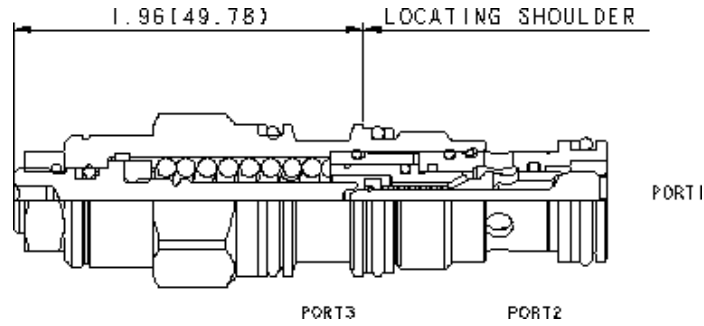


3-Port Non-vented



Counterbalance valves with pilot assist are meant to control an overrunning load. The check valve allows free flow from the directional valve (port 2) to the load (port 1) while a direct-acting, pilot-assisted relief valve controls flow from port 1 to port 2. Pilot assist at port 3 lowers the effective setting of the relief valve at a rate determined by the pilot ratio.

Other names for this valve include motion control valve and over-center valve.

TECHNICAL DATA

NOTE: DATA MAY VARY BY CONFIGURATION. SEE CONFIGURATION SECTION.

Pilot Ratio	4.5:1
Maximum Recommended Load Pressure at Maximum Setting	270 bar
Maximum Setting	350 bar
Factory Pressure Settings Established at	30 cc/min.
Maximum Valve Leakage at Reseat	0,3 cc/min.
Adjustment - Number of Counterclockwise Turns to Increase Setting	3.75
Reseat	>85% of setting
Locknut Hex Size	15 mm
Locknut Torque	9 - 10 Nm
Seal kit - Cartridge	Buna: 990011007
Seal kit - Cartridge	Polyurethane: 990011002
Seal kit - Cartridge	Viton: 990011006

CONFIGURATION OPTIONS

Model Code Example: CBAGLJN

CONTROL	(L) FUNCTIONAL SETTING RANGE	(J) SEAL MATERIAL	(N) MATERIAL/COATING
L Standard Screw Adjustment	J 2000 - 5000 psi w/25 psi Check (140 - 350 bar w/ 1,7 bar Check), 3000 psi (210 bar) Standard Setting	N Buna-N	Standard Material/Coating
C Tamper Resistant - Factory Set	C 2000 - 5000 psi w/4 psi Check (140 - 350 bar w/ 0,3 bar Check), 3000 psi (210 bar) Standard Setting	V Viton	/LH Mild Steel, Zinc-Nickel
R Lockwired Screw Adjustment	D 1000 - 2500 psi w/4 psi Check (70 - 175 bar w/ 0,3 bar Check), 2000 psi (140 bar) Standard Setting		
	K 1000 - 2500 psi w/25 psi Check (70 - 175 bar w/ 1,7 bar Check), 2000 psi (140 bar) Standard Setting		