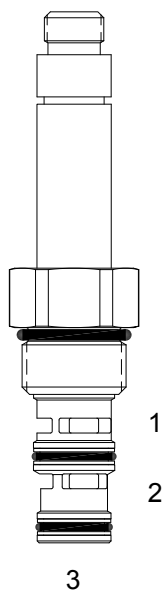


## HF-S3A DIRECT ACTING SPOOL, 3 WAY 2 POSITION



### DESCRIPTION

"High Pressure" 10 size, 7/8-14 thread, "Delta" series, solenoid operated, 3 way 2 position, spool valve.

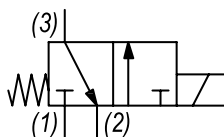
### OPERATION

When de-energized the HF-S3A blocks flow at port (1) and allows flow from (3) to (2). When energized the valve allows flow from (1) to (3) and blocks flow at port (2).

### FEATURES

- Hardened parts for long life.
- Efficient wet-armature construction.
- Cartridges are voltage interchangeable.
- Industry common cavity.
- Unitized, molded coil design.
- Continuous duty rated solenoid.
- Optional coil voltages and terminations.
- Optional "I" Coil: Weatherproof, Thermal Shock, Immersion Safe.

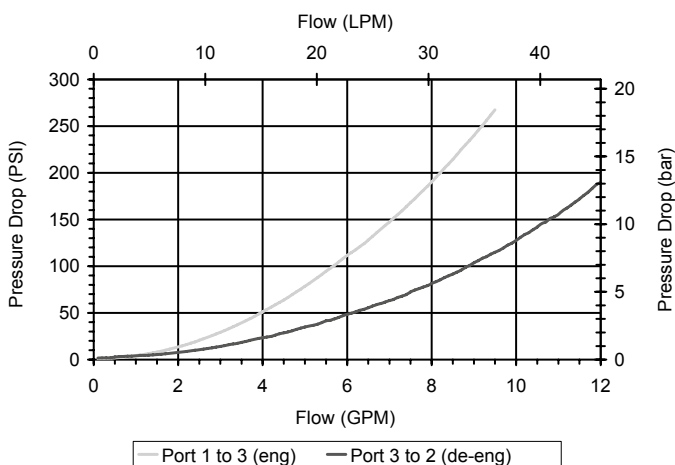
### HYDRAULIC SYMBOL



Uses "L" Coils.  
Pressure differential between ports should not exceed 3500 PSI.

### PERFORMANCE

Actual Test Data (Cartridge Only)



### VALVE SPECIFICATIONS

Nominal Flow	10 GPM (38 LPM)
Rated Operating Pressure	4000 PSI (276 bar)
Typical Internal Leakage (150 SSU)	8 cu in/min (131 ml/min)
Viscosity Range	36 to 3000 SSU (3 to 647 cSt)
Filtration	ISO 18/16/13
Media Operating Temp. Range	-40° to 250°F (-40° to 120°C)
Weight	.40 lbs (.18 kg)
Operating Fluid Media	General Purpose Hydraulic Fluid
Cartridge Torque Requirements	30 ft-lbs (40.6 Nm)
Coil Nut Torque Requirements	4-6 ft-lbs (5.4-8.1 Nm)
Cavity	DELTA 3W
Cavity Tools Kit (form tool, reamer, tap)	40500001
Seal Kit	21191210

**WARNING:** the specifications/application data shown in our catalogs and data sheets are intended only as a general guide for the product described (herein). Any specific application should not be undertaken without independent study, evaluation, and testing for suitability.



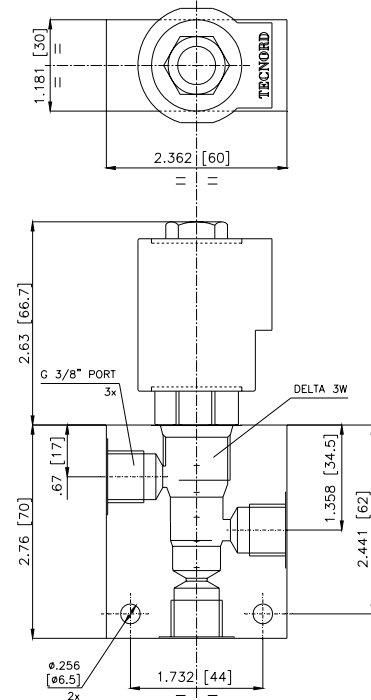
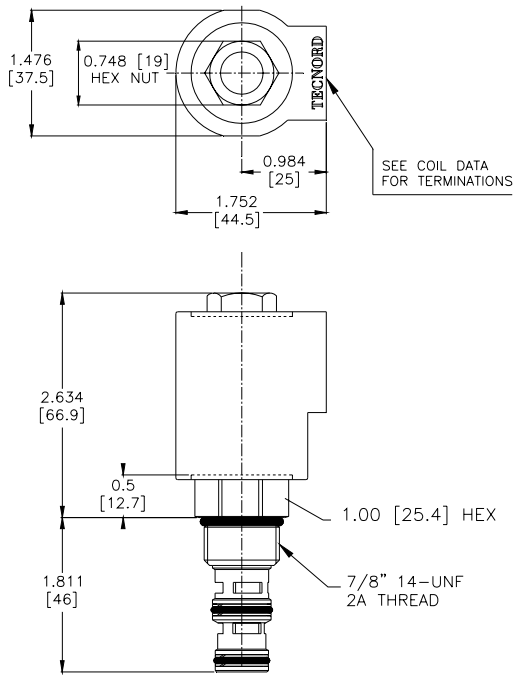
4484 Boeing Drive Rockford, IL 61109 • USA • Phone +1 (815) 397-6628 • Fax +1 (815) 397-2526  
mail: delta@delta-power.com • www.delta-power.com



Via Malavolti, 36 • 41122 Modena • ITALY • Phone +39 (059) 254895 • Fax +39 (059) 253512  
mail: tecnord@tecnord.com • www.tecnord.com

# SOLENOID OPERATED DIRECTIONAL CONTROLS

## DIMENSIONS



## ORDERING INFORMATION

Approximate Coil Weight: .68 lbs (.31 kg)

HF-S3A - - - -

**OPTIONS**

Buna Standard **00**  
 Viton Standard **V0**

**BODIES**

Blank Without Body  
**N** 3/8" BSP Ports  
**S** #6 SAE Ports

**Note: Aluminum, NOT durability rated for 4000 PSI. Consult factory for body options.**

**VOLTAGE** (other voltages available on request)

**12** 12 VDC  
**24** 24 VDC  
**22** 220 VAC without internal rectifier

**"L" COIL TERMINATION**

(All DC Except as Noted)

**DL** Double Lead  
 (several types of termination can be attached on leads on request)

**HC** DIN 43650 (Hirschmann) - (AC&DC)  
**DI** Deutsch - Integral DT04-2P

**IMMERSION PROOF "L" TYPE**  
**LIA** "I" Coil AMP Superseal - Integral  
**LID** "I" Coil Deutsch - Integral DT04-2P  
**LIJ** "I" Coil AMP Jr. Timer - Integral  
**LIM** "I" Coil Metri-Pack - Integral

W 40 / 2017

**WARNING:** the specifications/application data shown in our catalogs and data sheets are intended only as a general guide for the product described (herein). Any specific application should not be undertaken without independent study, evaluation, and testing for suitability.



4484 Boeing Drive Rockford, IL 61109 • USA • Phone +1 (815) 397-6628 • Fax +1 (815) 397-2526  
 mail: delta@delta-power.com • www.delta-power.com



Via Malavolti, 36 • 41122 Modena • ITALY • Phone +39 (059) 254895 • Fax +39 (059) 253512  
 mail: tecnord@tecnord.com • www.tecnord.com