

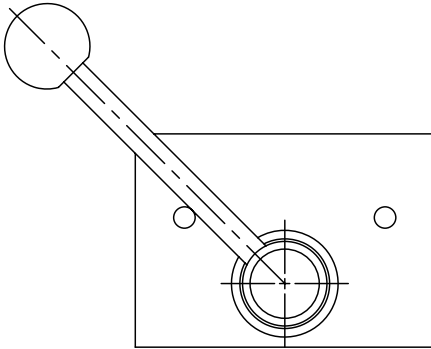
QS-MRS ROTARY SELECTOR VALVE

DESCRIPTION

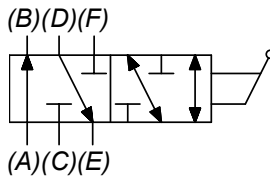
6 port rotary selector valve.

OPERATION

The QS-MRS when rotated counter-clockwise allows flow from (A) to (B) & (D) to (E) and blocks (C) & (F). When rotated clockwise, the valve directs flow from (C) to (B) & (F) to (E) and block flow at (A) & (D).



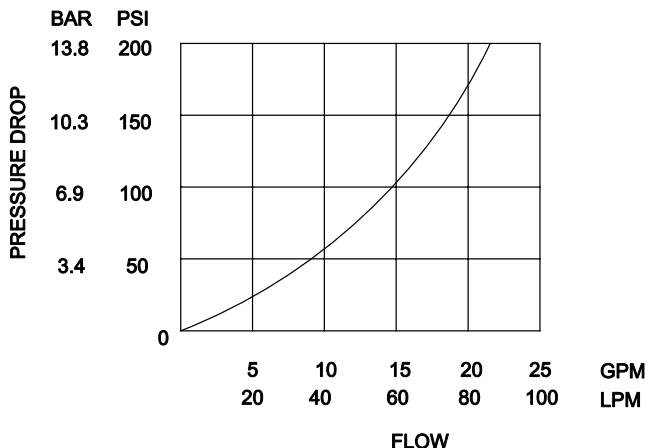
HYDRAULIC SYMBOL



May be used as metering product. All ports closed in transition. See chart for fully open and fully closed pressure drop.

PERFORMANCE

Actual Test Data (Cartridge Only)



ABOVE CURVE IS WITH HYDRAULIC OIL 150 SSU AT 100°F.

VALVE SPECIFICATIONS

Nominal Flow	25 GPM (95 LTR/M)
Rated Operating Pressure	3000 PSI (207 bar)
Typical Internal Leakage (150 SSU)	1 cu in/min (16 ml/min)
Viscosity Range	36 to 3000 SSU (3 to 647 cSt)
Filtration	ISO 18/16/13
Media Operating Temp. Range	-40° to 250°F (-40° to 120°C)
Weight	3.42 lbs (1.55 kg)
Operating Fluid Media	General Purpose Hydraulic Fluid

WARNING: the specifications/application data shown in our catalogs and data sheets are intended only as a general guide for the product described (herein). Any specific application should not be undertaken without independent study, evaluation, and testing for suitability.

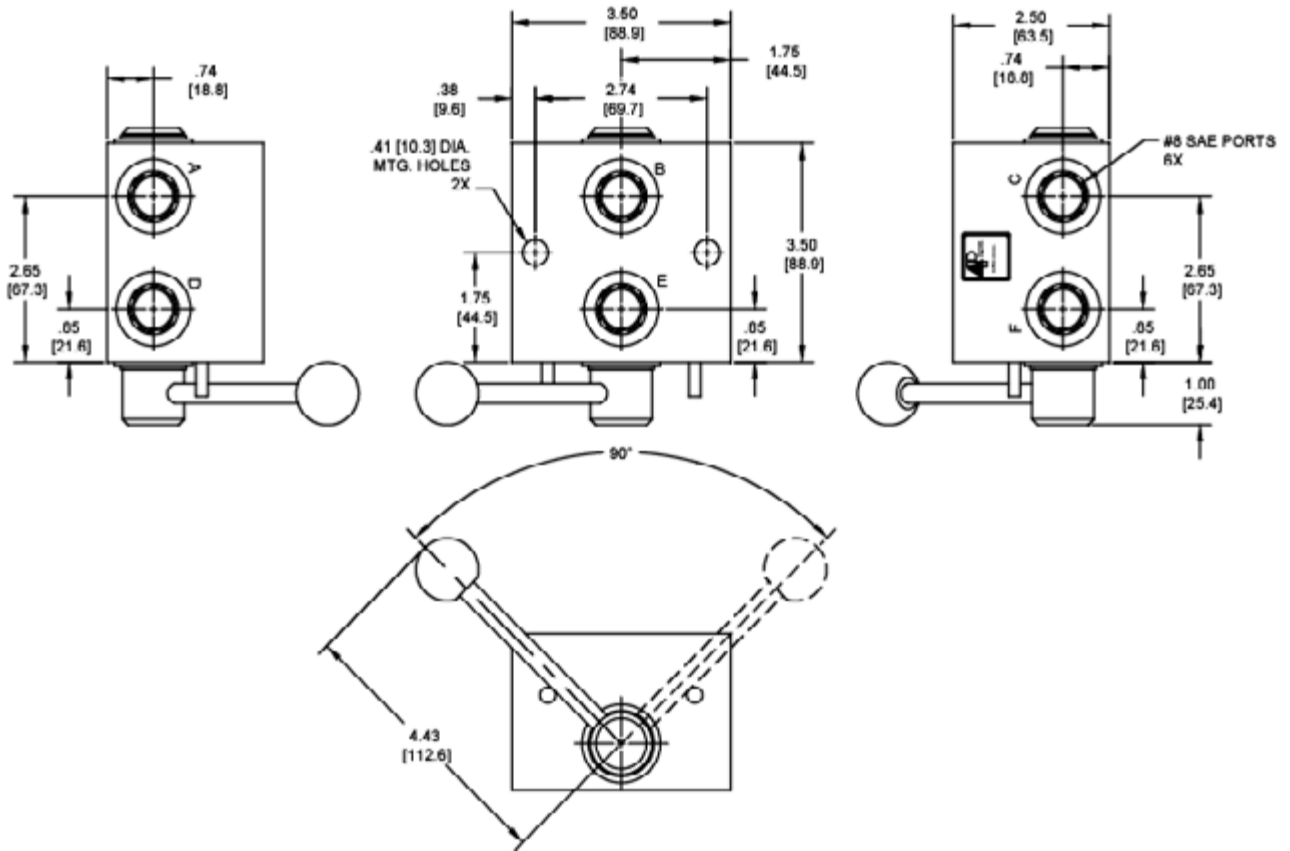


4484 Boeing Drive Rockford, IL 61109 • USA • Phone +1 (815) 397-6628 • Fax +1 (815) 397-2526
 mail: delta@delta-power.com • www.delta-power.com



Via Malavolti, 36 • 41122 Modena • ITALY • Phone +39 (059) 254895 • Fax +39 (059) 253512
 mail: tecnord@tecnord.com • www.tecnord.com

DIMENSIONS



ORDERING INFORMATION

QS-MRS	-	-	-
	OPTIONS		BODIES
	Buna Standard	00	N 1/2" NPT Ports
	Viton Standard	V0	S #8 SAE Ports

W 40 / 2017

WARNING: the specifications/application data shown in our catalogs and data sheets are intended only as a general guide for the product described (herein). Any specific application should not be undertaken without independent study, evaluation, and testing for suitability.



4484 Boeing Drive Rockford, IL 61109 • USA • Phone +1 (815) 397-6628 • Fax +1 (815) 397-2526
 mail: delta@delta-power.com • www.delta-power.com



Via Malavolti, 36 • 41122 Modena • ITALY • Phone +39 (059) 254895 • Fax +39 (059) 253512
 mail: tecnord@tecnord.com • www.tecnord.com