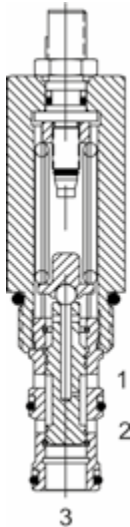


**DF-PWI SEQUENCE VALVE, INTERNAL PILOT AND DRAIN**



**DESCRIPTION**

10 size, 7/8-14 thread, "Delta" series, internal pilot and drain, sequence valve.

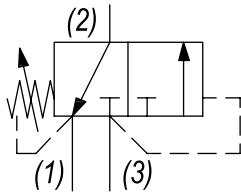
**OPERATION**

The DF-PWI blocks flow at (3) and allows flow from (2) to (1). On attainment of a predetermined pressure at (3) the valve shifts to allow flow from (3) to (2) and block flow at (1).

**FEATURES**

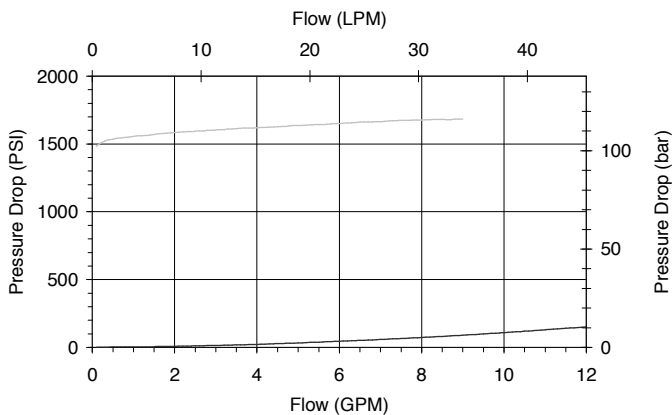
- Hardened parts for long life.
- Optional spring ranges to 1500 PSI (103 bar).
- Industry common Cavity.

**HYDRAULIC SYMBOL**



**PERFORMANCE**

Actual Test Data (Cartridge Only)



**VALVE SPECIFICATIONS**

Nominal Flow	8 GPM (30 LPM)
Rated Operating Pressure	3000 PSI (207 bar)
Typical Internal Leakage (150 SSU)	5 cu in/min (82 ml/min)
Viscosity Range	36 to 3000 SSU (3 to 647 cSt)
Filtration	ISO 18/16/13
Media Operating Temp. Range	-40° to 250°F (-40° to 120°C)
Weight	.57 lbs (.26 kg)
Operating Fluid Media	General Purpose Hydraulic Fluid
Cartridge Torque Requirements	30 ft-lbs (40.6 Nm)
Cavity	DELTA 3W
Cavity Form Tool (Finishing)	40500001
Seal Kit	21191206

**WARNING:** the specifications/application data shown in our catalogs and data sheets are intended only as a general guide for the product described (herein). Any specific application should not be undertaken without independent study, evaluation, and testing for suitability.

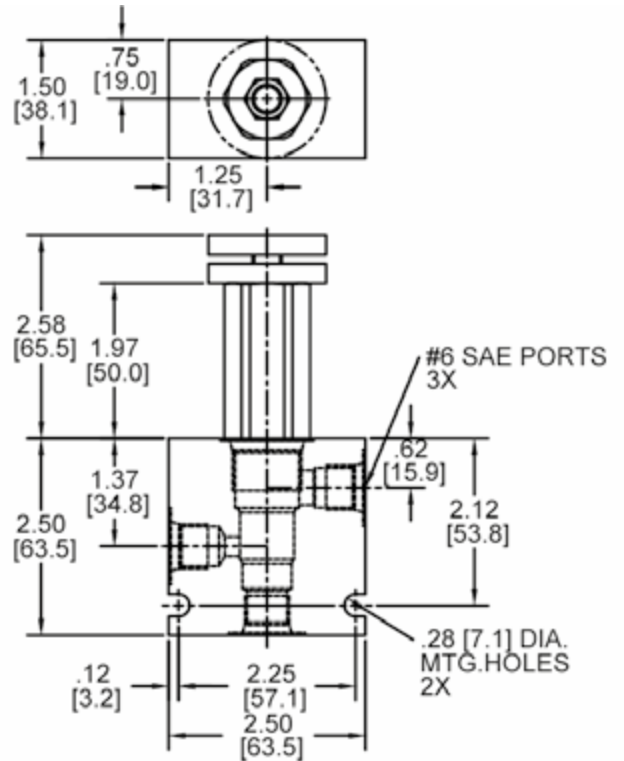
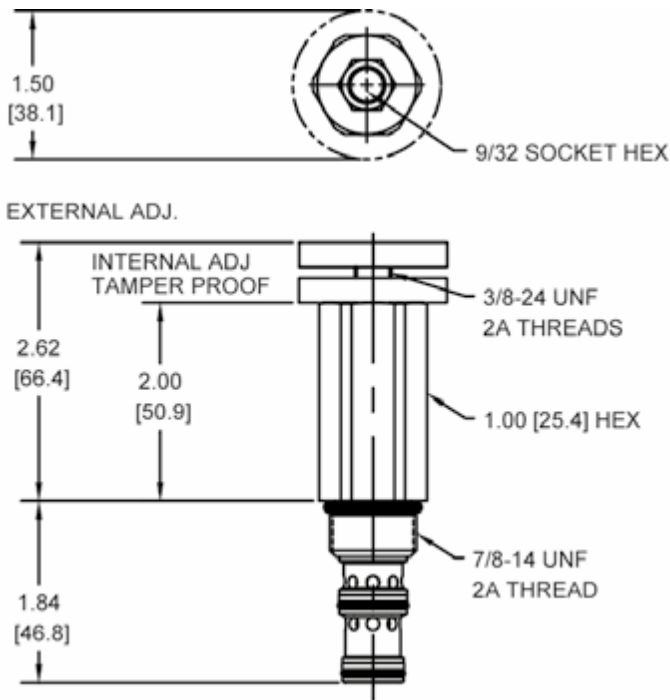


4484 Boeing Drive Rockford, IL 61109 • USA • Phone +1 (815) 397-6628 • Fax +1 (815) 397-2526  
 mail: delta@delta-power.com • www.delta-power.com



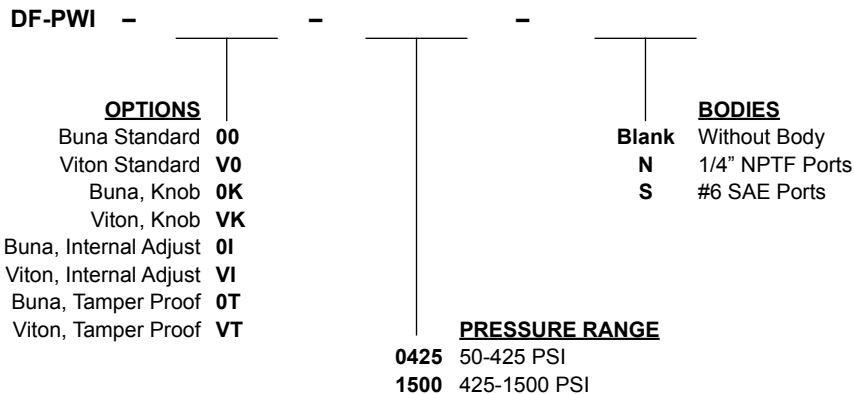
Via Malavolti, 36 • 41122 Modena • ITALY • Phone +39 (059) 254895 • Fax +39 (059) 253512  
 mail: tecnord@tecnord.com • www.tecnord.com

**DIMENSIONS**



Body Weight: .76 lbs (.35 kg)

**ORDERING INFORMATION**



**Tamper Proof**  
Fill in 4 Digit Pressure Setting  
Example: 0500 - 500 PSI

W 40 / 2017

**WARNING:** the specifications/application data shown in our catalogs and data sheets are intended only as a general guide for the product described (herein). Any specific application should not be undertaken without independent study, evaluation, and testing for suitability.



4484 Boeing Drive Rockford, IL 61109 • USA • Phone +1 (815) 397-6628 • Fax +1 (815) 397-2526  
mail: delta@delta-power.com • www.delta-power.com



Via Malavolti, 36 • 41122 Modena • ITALY • Phone +39 (059) 254895 • Fax +39 (059) 253512  
mail: tecnord@tecnord.com • www.tecnord.com