

SJ-NVA ADJUSTABLE FLOW CONTROL VALVE, NEEDLE TYPE

DESCRIPTION

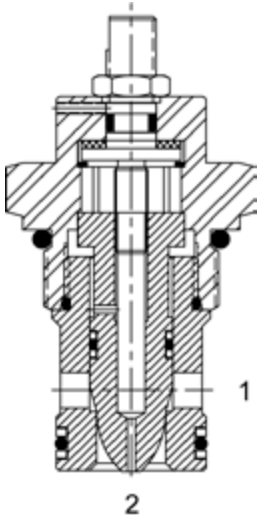
16 size, 1 5/16-12 thread, "Super" series, needle flow control valve.

OPERATION

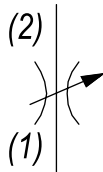
The SJ-NVA adjusts from fully open to fully closed by turning the adjustment screw clockwise. When adjusted open the valve regulates flow (1) to (2) or (2) to (1). When fully closed the valve blocks flow from (1) to (2) or (2) to (1).

FEATURES

- Hardened parts for long life.
- Industry common cavity.

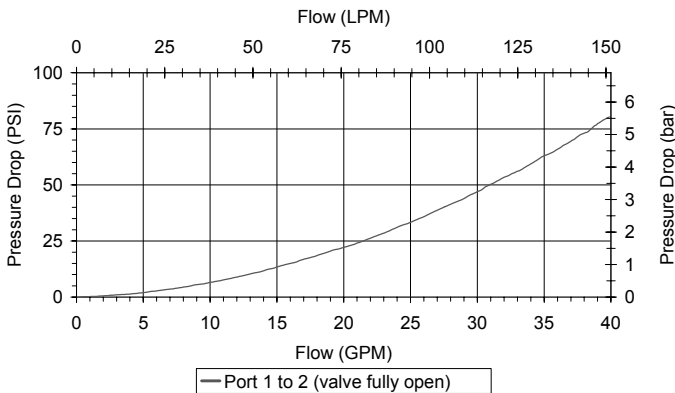


HYDRAULIC SYMBOL



PERFORMANCE

Actual Test Data (Cartridge Only)



VALVE SPECIFICATIONS

Nominal Flow	40 GPM (151 LPM)
Rated Operating Pressure	3500 PSI (241 bar)
Viscosity Range	36 to 3000 SSU (3 to 647 cSt)
Filtration	ISO 18/16/13
Media Operating Temp. Range	-35° to 200°F (-37.2° to 93.3°C)
Weight	.83 lbs (.37 kg)
Operating Fluid Media	General Purpose Hydraulic Fluid
Cartridge Torque Requirements	90 ft-lbs (122 Nm)
Cavity	SUPER 2W
Cavity Form Tool (Finishing)	40500017
Seal Kit	21191402

WARNING: the specifications/application data shown in our catalogs and data sheets are intended only as a general guide for the product described (herein). Any specific application should not be undertaken without independent study, evaluation, and testing for suitability.

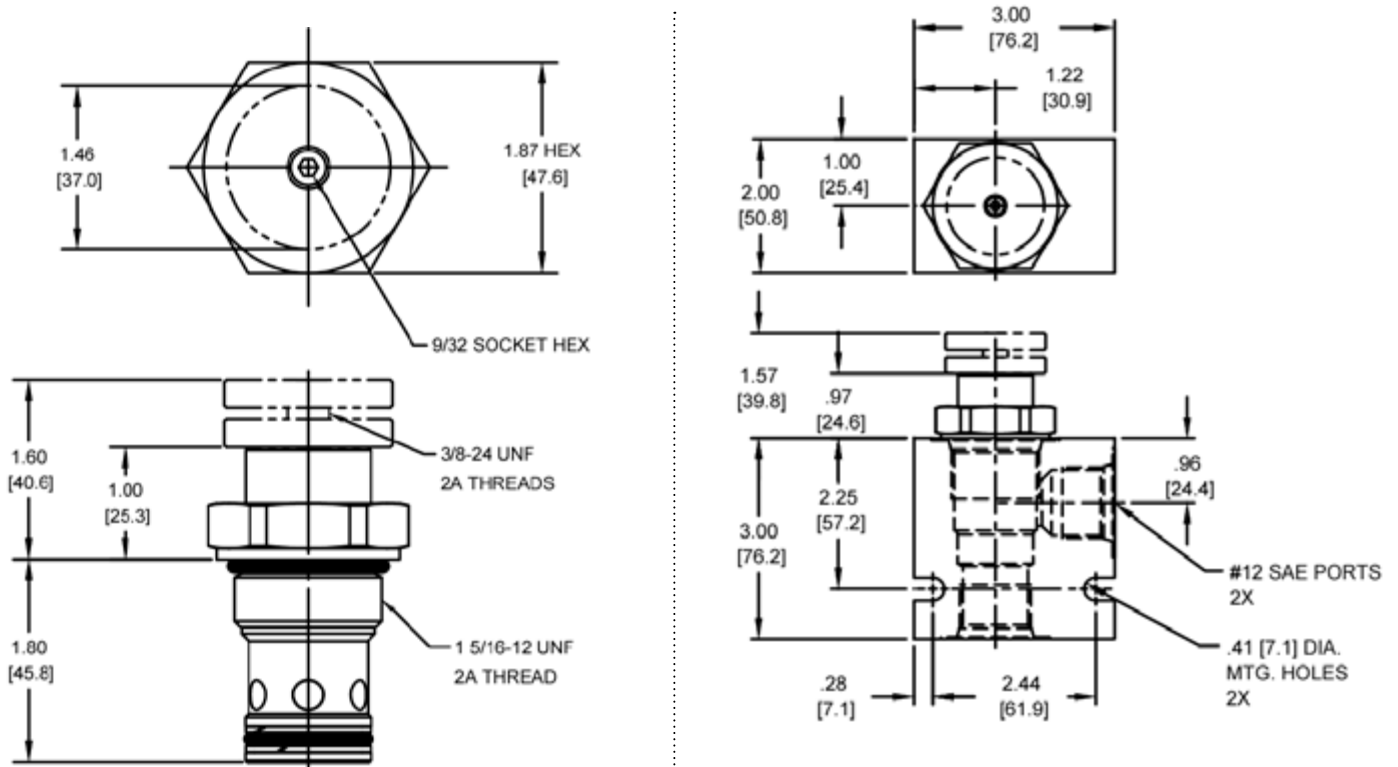


4484 Boeing Drive Rockford, IL 61109 • USA • Phone +1 (815) 397-6628 • Fax +1 (815) 397-2526
 mail: delta@delta-power.com • www.delta-power.com



Via Malavolti, 36 • 41122 Modena • ITALY • Phone +39 (059) 254895 • Fax +39 (059) 253512
 mail: tecnord@tecnord.com • www.tecnord.com

DIMENSIONS



Body Weight: 1.29 lbs (.58 kg)

ORDERING INFORMATION

<p>SJ-NVA -</p> <p style="margin-left: 40px;">OPTIONS</p> <p>Buna Standard 00</p> <p>Viton Standard V0</p> <p>Buna, Knob 0K</p> <p>Viton, Knob VK</p> <p>Buna, Internally Adj. 0I</p> <p>Viton, Internally Adj. VI</p> <p>Buna, Tamper Proof 0T</p> <p>Viton, Tamper Proof VT</p>	<p>-</p> <p style="margin-left: 40px;">BODIES</p> <p>Blank</p> <p>N 3/4" NPT Ports</p> <p>S #12 SAE Ports</p>
---------------------------------------------------------------------------------------------------------------------------------------------------------------------------------------------------------------------------------------------------------------------------------------------------------------------------------------------------------	------------------------------------------------------------------------------------------------------------------------------------

W7 / 2017

WARNING: the specifications/application data shown in our catalogs and data sheets are intended only as a general guide for the product described (herein). Any specific application should not be undertaken without independent study, evaluation, and testing for suitability.



4484 Boeing Drive Rockford, IL 61109 • USA • Phone +1 (815) 397-6628 • Fax +1 (815) 397-2526
 mail: delta@delta-power.com • www.delta-power.com



Via Malavolti, 36 • 41122 Modena • ITALY • Phone +39 (059) 254895 • Fax +39 (059) 253512
 mail: tecnord@tecnord.com • www.tecnord.com