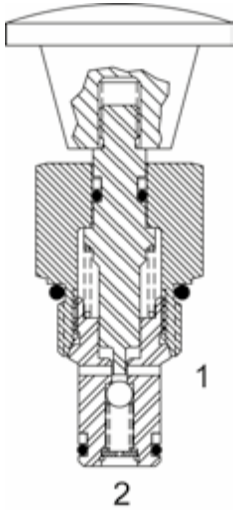


HB-MCP 2 WAY MANUAL VALVE, NORMALLY CLOSED, PUSH TYPE



DESCRIPTION

8 size, 3/4-16 thread, "Power" series, manual valve, 2 way normally closed, push type.

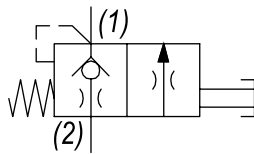
OPERATION

The HB-MCP blocks flow from (2) to (1) until an operator pushes the knob in allowing pressure at port #2 to drop to port #1 pressure.

FEATURES

- Hardened parts for long life.
- Industry common cavity.

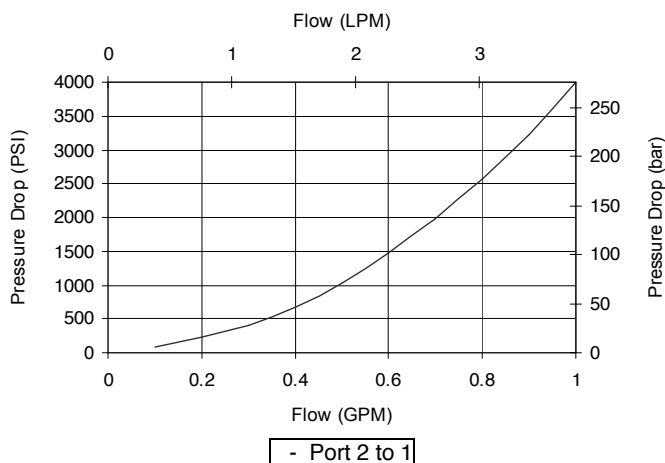
HYDRAULIC SYMBOL



Good as a pilot dump valve. Port #1 should be limited to <500 PSI to allow actuation (50 lbs), Port #2 actuation load at 4000 PSI (50 lbs).

PERFORMANCE

Actual Test Data (Cartridge Only)



VALVE SPECIFICATIONS

Nominal Flow	1 GPM (4 LPM)
Max. Operating Pressure	4000 PSI (276 bar)
Typical Internal Leakage (150 SSU)	5 drops/min
Viscosity Range	36 to 3000 SSU (3 to 647 cSt)
Filtration	ISO 18/16/13
Media Operating Temp. Range	32° to 160°F (0° to 70°C)
Weight	.14 lbs (.06 kg)
Operating Fluid Media	General Purpose Hydraulic Fluid
Cartridge Torque Requirements	25 ft-lbs (34 Nm)
Cavity	POWER 2W
Cavity Form Tool (Finishing)	40500005
Seal Kit	21191100

WARNING: the specifications/application data shown in our catalogs and data sheets are intended only as a general guide for the product described (herein). Any specific application should not be undertaken without independent study, evaluation, and testing for suitability.

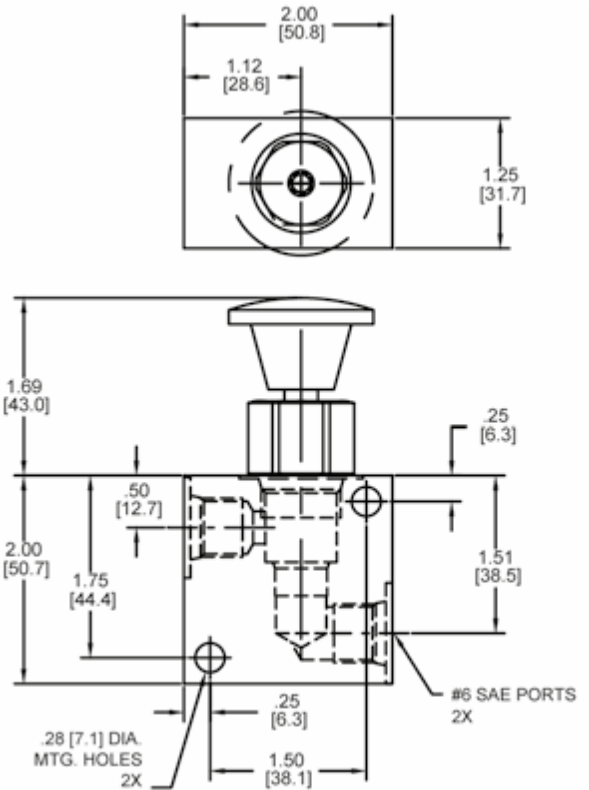
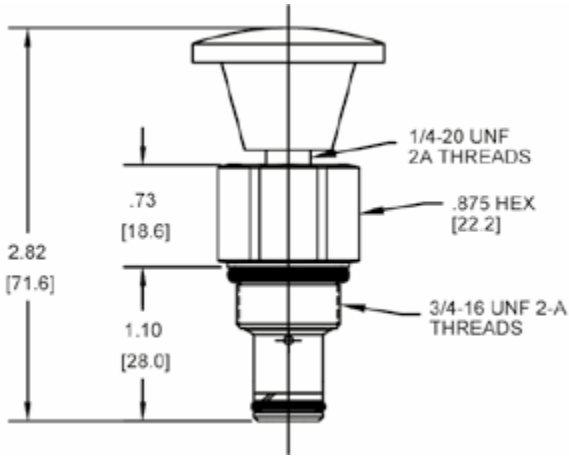


4484 Boeing Drive Rockford, IL 61109 • USA • Phone +1 (815) 397-6628 • Fax +1 (815) 397-2526
 mail: delta@delta-power.com • www.delta-power.com



Via Malavolti, 36 • 41122 Modena • ITALY • Phone +39 (059) 254895 • Fax +39 (059) 253512
 mail: tecnord@tecnord.com • www.tecnord.com

DIMENSIONS



Body Weight: .39 lbs (.18 kg)

ORDERING INFORMATION

<p>HB-MCP - - -</p> <p style="text-align: center;"> </p> <p style="text-align: center;"> </p> <p style="text-align: center;"> </p> <p style="text-align: center;"> </p>	<p>OPTIONS</p> <p>Buna, Knob OK</p> <p>Viton, Knob VK</p>	<p>BODIES</p> <p>Blank Without Body</p> <p>N 1/4" NPTF Ports</p> <p>S #6 SAE Ports</p>
---	--	---

Note: aluminum NOT durability rated for 4000 PSI. Consult factory for options.

W 40 / 2017

WARNING: the specifications/application data shown in our catalogs and data sheets are intended only as a general guide for the product described (herein). Any specific application should not be undertaken without independent study, evaluation, and testing for suitability.



4484 Boeing Drive Rockford, IL 61109 • USA • Phone +1 (815) 397-6628 • Fax +1 (815) 397-2526
 mail: delta@delta-power.com • www.delta-power.com



Via Malavolti, 36 • 41122 Modena • ITALY • Phone +39 (059) 254895 • Fax +39 (059) 253512
 mail: tecnord@tecnord.com • www.tecnord.com