

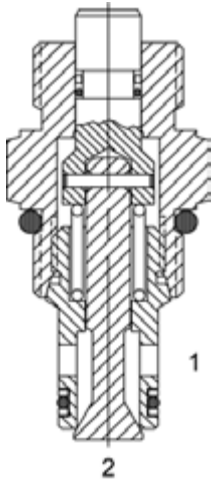
PB-MCI MANUAL POPPET VALVE, 2 WAY NORMALLY CLOSED, PUSH TYPE

DESCRIPTION

8 size, 3/4-16 thread, "Power" series, manual poppet, 2 way normally closed, push type valve.

OPERATION

The PB-MCI blocks flow from (2) to (1) until sufficient force is applied to button to overcome spring bias and load force.



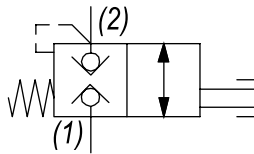
Actuation Force Required	
No Pressure	7 lbs
Side Pressure	7 + (P1 x .009)
Nose Pressure	7 + (P1 x .076)

Note: (Ø .437) cavity predrill depth must be 1.312 minimum from spotface.

FEATURES

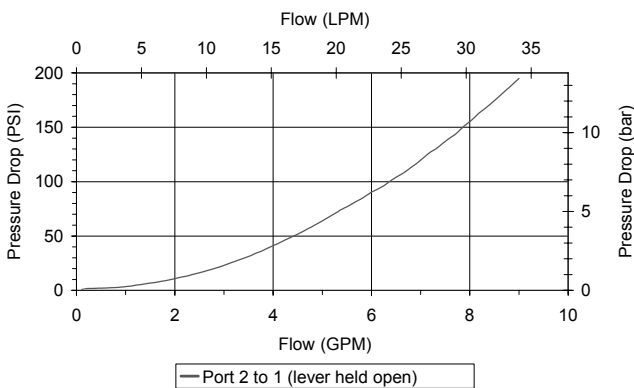
- Hardened parts for long life.
- Industry common cavity.

HYDRAULIC SYMBOL



PERFORMANCE

Actual Test Data (Cartridge Only)



VALVE SPECIFICATIONS

Nominal Flow	8 GPM (30 LPM)
Rated Operating Pressure	3500 PSI (241 bar)
Typical Internal Leakage (150 SSU)	Consult Factory
Viscosity Range	36 to 3000 SSU (3 to 647 cSt)
Filtration	ISO 18/16/13
Media Operating Temp. Range	-40° to 250°F (-40° to 120°C)
Weight	.26 lbs (.12 kg)
Operating Fluid Media	General Purpose Hydraulic Fluid
Cartridge Torque Requirements	25 ft-lbs (34 Nm)
Cavity	POWER 2W
Cavity Form Tool (Finishing)	40500005
Seal Kit	21191102

WARNING: the specifications/application data shown in our catalogs and data sheets are intended only as a general guide for the product described (herein). Any specific application should not be undertaken without independent study, evaluation, and testing for suitability.

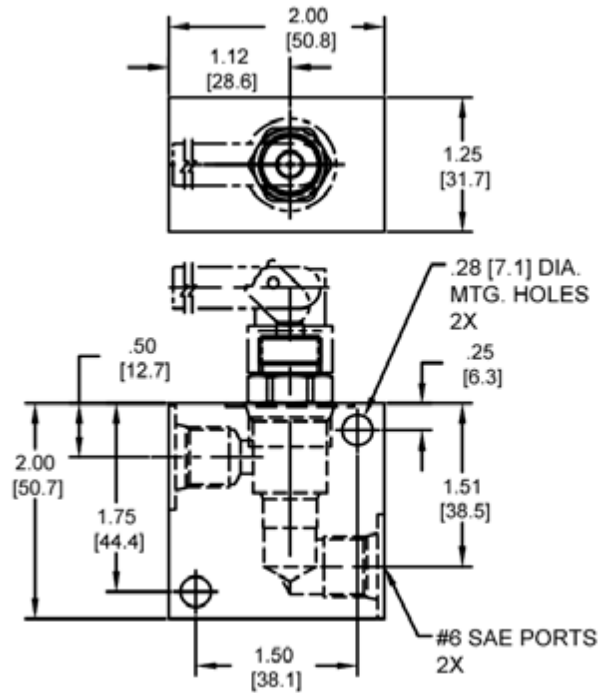
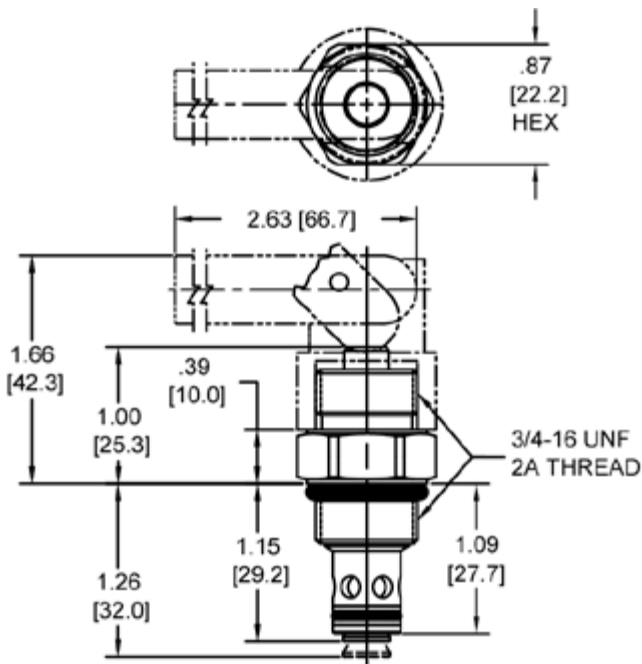


4484 Boeing Drive Rockford, IL 61109 • USA • Phone +1 (815) 397-6628 • Fax +1 (815) 397-2526
 mail: delta@delta-power.com • www.delta-power.com



Via Malavolti, 36 • 41122 Modena • ITALY • Phone +39 (059) 254895 • Fax +39 (059) 253512
 mail: tecnord@tecnord.com • www.tecnord.com

DIMENSIONS



Body Weight: .39 lbs (.18 kg)

ORDERING INFORMATION

PB-MCI		-	-
	OPTIONS		BODIES
Buna Standard	00	Blank	Without Body
Viton Standard	V0	N	1/4" NPTF Ports
Buna, Screen	A0	S	#6 SAE Ports
Viton, Screen	W0		
Buna, Lever	0L		
Viton, Lever	VL		
Buna, Screen, Lever	AL		
Viton, Screen, Lever	WL		

Note: use screen only if flow direction is from (1) to (2).

W 40 / 2017

WARNING: the specifications/application data shown in our catalogs and data sheets are intended only as a general guide for the product described (herein). Any specific application should not be undertaken without independent study, evaluation, and testing for suitability.



4484 Boeing Drive Rockford, IL 61109 • USA • Phone +1 (815) 397-6628 • Fax +1 (815) 397-2526
 mail: delta@delta-power.com • www.delta-power.com



Via Malavolti, 36 • 41122 Modena • ITALY • Phone +39 (059) 254895 • Fax +39 (059) 253512
 mail: tecnord@tecnord.com • www.tecnord.com