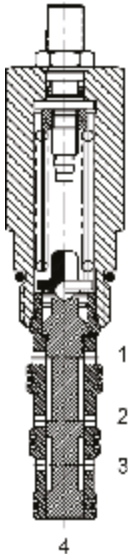


DG-PSA SEQUENCE VALVE, 4 WAY NORMALLY CLOSED, EXTERNAL PILOT



DESCRIPTION

10 size, 7/8-14 thread, "Delta" series, 4 way external pilot sequence valve.

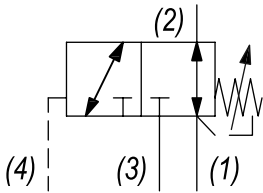
OPERATION

The DG-PSA in neutral (un-piloted), allows flow between (1) and (2) bidirectionally, while blocking at (3). The spring chamber is constantly vented at (1). On attainment of a predetermined pressure at (4), the cartridge shifts to close (1) to (2), while opening (2) to (3). Note that the backpressure value at (1) must be added to the selected pressure setting to determine pilot pressure necessary to open valve.

FEATURES

- Optional spring ranges to 1500 PSI (103 bar).
- Hardened parts for long life.
- Industry common cavity.

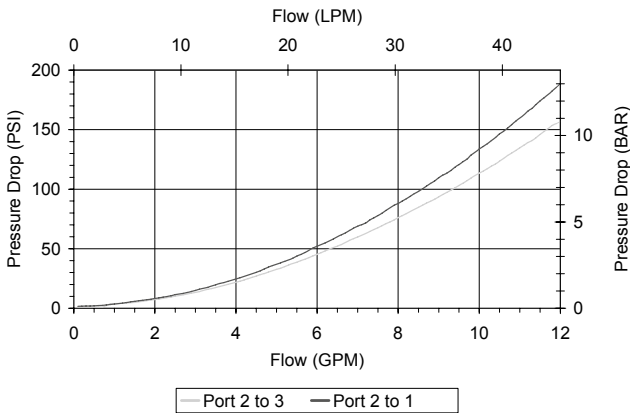
HYDRAULIC SYMBOL



Orifice .030 to .060 diameter recommended beneath port (4).

PERFORMANCE

Actual Test Data (Cartridge Only)



VALVE SPECIFICATIONS

Nominal Flow	10 GPM (38 LPM)
Rated Operating Pressure	3000 PSI (207 bar)
Typical Internal Leakage (150 SSU)	5 cu in/min (82 ml/min)
Viscosity Range	36 to 3000 SSU (3 to 647 cSt)
Filtration	ISO 18/16/13
Media Operating Temp. Range	-40° to 250°F (-40° to 120°C)
Weight	.63 lbs (.28 kg)
Operating Fluid Media	General Purpose Hydraulic Fluid
Cartridge Torque Requirements	30 ft-lbs (40.6 Nm)
Cavity	DELTA 4W
Cavity Form Tool (Finishing)	40500002
Seal Kit	21191214

WARNING: the specifications/application data shown in our catalogs and data sheets are intended only as a general guide for the product described (herein). Any specific application should not be undertaken without independent study, evaluation, and testing for suitability.

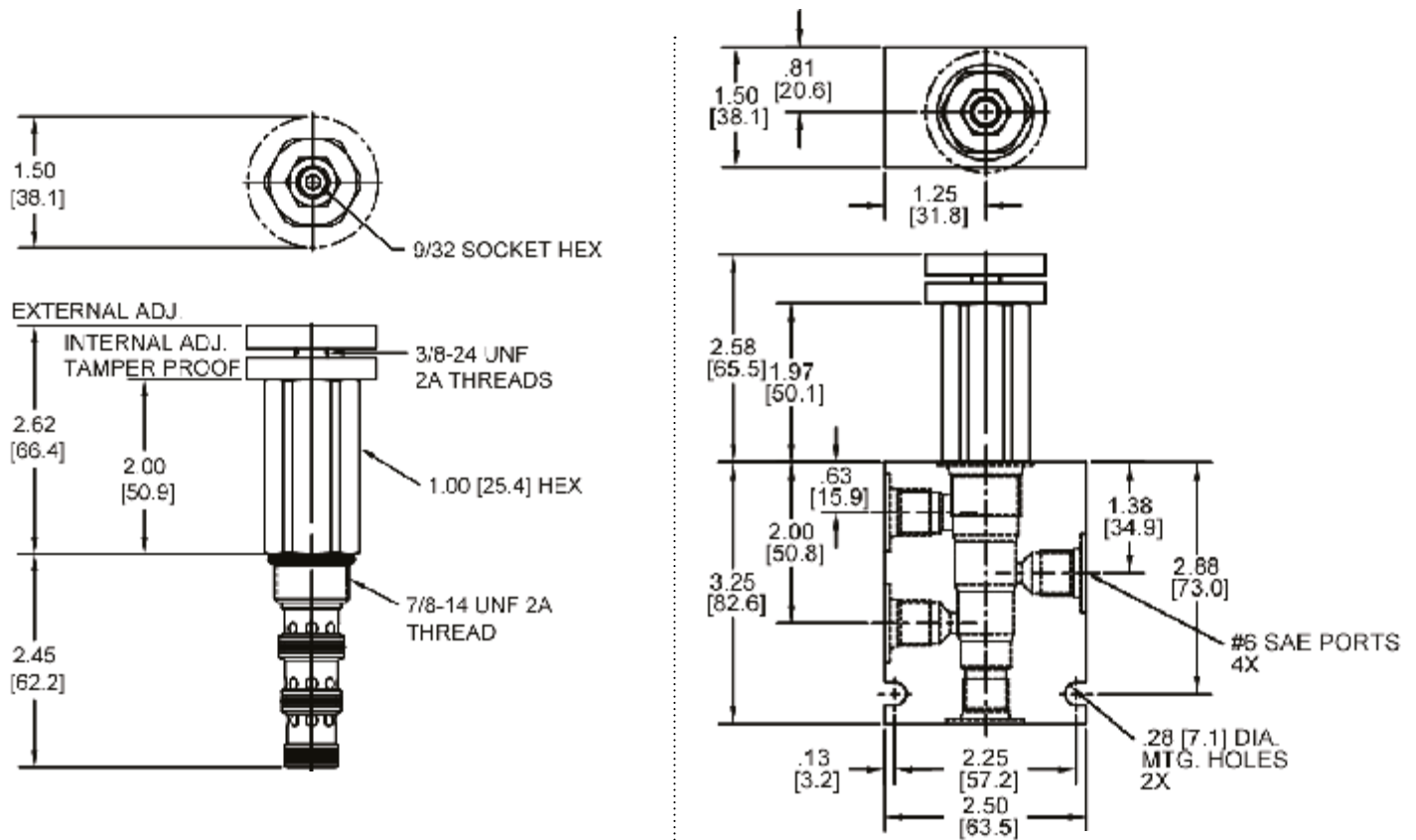


4484 Boeing Drive Rockford, IL 61109 • USA • Phone +1 (815) 397-6628 • Fax +1 (815) 397-2526
 mail: delta@delta-power.com • www.delta-power.com



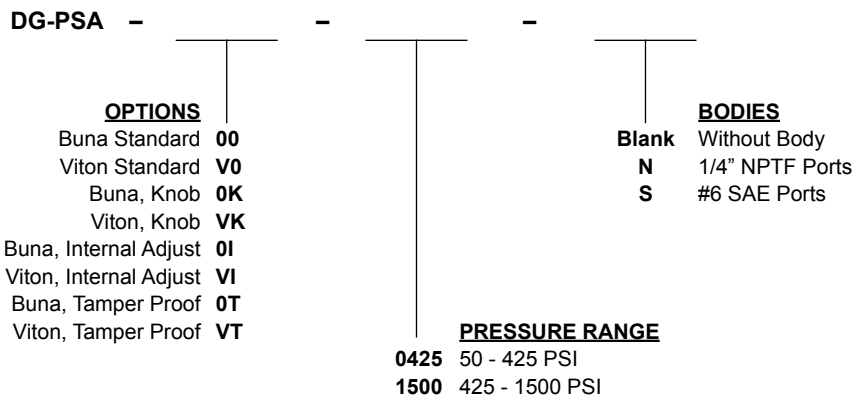
Via Malavolti, 36 • 41122 Modena • ITALY • Phone +39 (059) 254895 • Fax +39 (059) 253512
 mail: tecnord@tecnord.com • www.tecnord.com

DIMENSIONS



Body Weight: .99 lbs (.45 kg)

ORDERING INFORMATION



Tamper Proof
 Fill in 4 Digit Pressure Setting
 Example: 0500 - 500 PSI

W 40 / 2017

WARNING: the specifications/application data shown in our catalogs and data sheets are intended only as a general guide for the product described (herein). Any specific application should not be undertaken without independent study, evaluation, and testing for suitability.



4484 Boeing Drive Rockford, IL 61109 • USA • Phone +1 (815) 397-6628 • Fax +1 (815) 397-2526
 mail: delta@delta-power.com • www.delta-power.com



Via Malavolti, 36 • 41122 Modena • ITALY • Phone +39 (059) 254895 • Fax +39 (059) 253512
 mail: tecnord@tecnord.com • www.tecnord.com