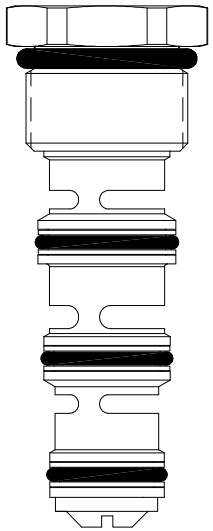


DG-FDA FLOW DIVIDER / COMBINER VALVE, SPOOL TYPE



DESCRIPTION

10 size, 7/8-14 thread "Delta Series", spool type, flow divider/combiner.

OPERATION

In the dividing mode, the DG-FDA will divert input flow from port (2) to ports (3) and (1), based on the ratio specified, regardless of operating pressure. The DG-FDA will combine input flows from ports (3) and (1), to port (2) by the same ratio. Should circuit operation result in a blockage of either (3) or (1), the opposite port may also close under certain conditions. Should this potential exist, consult the factory.

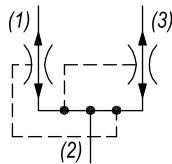
FEATURES

- Hardened parts for long life.
- Industry common cavity.



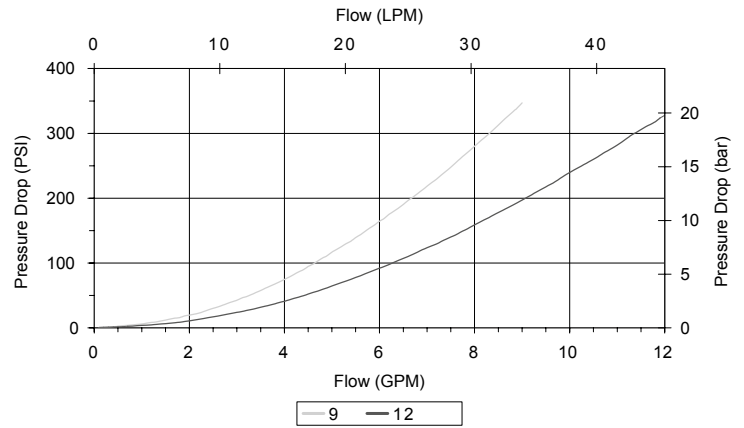
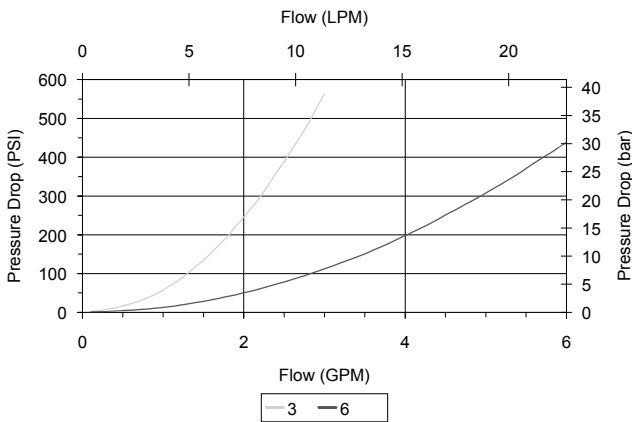
*DO NOT EXCEED MAXIMUM FLOW PER MODEL
For higher accuracy flow ratio, use DG-FDH.*

HYDRAULIC SYMBOL



PERFORMANCE

Actual Test Data (Cartridge Only)



WARNING: the specifications/application data shown in our catalogs and data sheets are intended only as a general guide for the product described (herein). Any specific application should not be undertaken without independent study, evaluation, and testing for suitability.

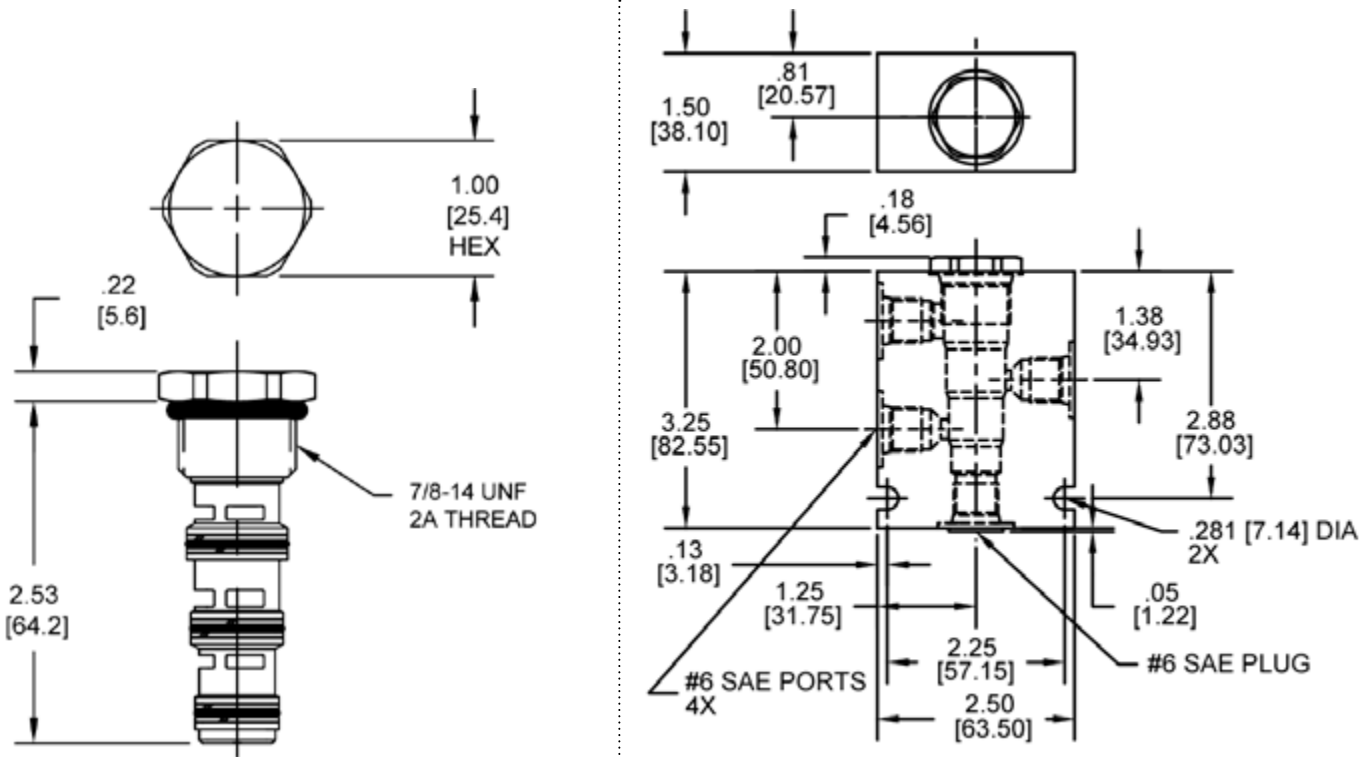


4484 Boeing Drive Rockford, IL 61109 • USA • Phone +1 (815) 397-6628 • Fax +1 (815) 397-2526
mail: delta@delta-power.com • www.delta-power.com



Via Malavolti, 36 • 41122 Modena • ITALY • Phone +39 (059) 254895 • Fax +39 (059) 253512
mail: tecnord@tecnord.com • www.tecnord.com

DIMENSIONS



Body Weight: .99 lbs (.45 kg)

ORDERING INFORMATION

DG-FDA - - - - -

<p>OPTIONS</p> <p>Buna Standard 00</p> <p>Viton Standard V0</p>	<p>BODIES</p> <p>Blank Without Body</p> <p>N 1/4 NPT Ports</p> <p>S #6 SAE Ports</p> <p>Note: must use 4-way body</p>
--	--

<p>SPLITS</p> <table border="0"> <tr><td>#1 #3</td><td></td></tr> <tr><td>14-86</td><td>14</td></tr> <tr><td>20-80</td><td>20</td></tr> <tr><td>28-72</td><td>28</td></tr> <tr><td>30-70</td><td>30</td></tr> <tr><td>36-64</td><td>36</td></tr> <tr><td>40-60</td><td>40</td></tr> <tr><td>50-50</td><td>50</td></tr> <tr><td>60-40</td><td>60</td></tr> <tr><td>64-36</td><td>64</td></tr> <tr><td>70-30</td><td>70</td></tr> <tr><td>72-28</td><td>72</td></tr> <tr><td>80-20</td><td>80</td></tr> <tr><td>86-14</td><td>86</td></tr> </table>	#1 #3		14-86	14	20-80	20	28-72	28	30-70	30	36-64	36	40-60	40	50-50	50	60-40	60	64-36	64	70-30	70	72-28	72	80-20	80	86-14	86	<p>INLET FLOW</p> <p>03 2-3 GPM (50 only)</p> <p>06 3-6 GPM (50 only)</p> <p>09 6-9 GPM (50 only)</p> <p>12 9-12 GPM (50 only)</p> <p>** All non 50-50 split valves (see chart below for flow ratings)</p>
#1 #3																													
14-86	14																												
20-80	20																												
28-72	28																												
30-70	30																												
36-64	36																												
40-60	40																												
50-50	50																												
60-40	60																												
64-36	64																												
70-30	70																												
72-28	72																												
80-20	80																												
86-14	86																												

Maximum inlet flow for non 50-50 split valves	
Model code	Maximum inlet flow
04 30-70, 70-30	4.0 GPM
06 20-80, 80-20	6.0 GPM
07 14-86, 36-64, 64-36, 86-14	7.0 GPM
09 28-72, 72-28	9.0 GPM
10 40-60, 60-40	10.0 GPM

Consult factory for splits other than 50-50

W7/2017

WARNING: the specifications/application data shown in our catalogs and data sheets are intended only as a general guide for the product described (herein). Any specific application should not be undertaken without independent study, evaluation, and testing for suitability.



4484 Boeing Drive Rockford, IL 61109 • USA • Phone +1 (815) 397-6628 • Fax +1 (815) 397-2526
 mail: delta@delta-power.com • www.delta-power.com



Via Malavolti, 36 • 41122 Modena • ITALY • Phone +39 (059) 254895 • Fax +39 (059) 253512
 mail: tecnord@tecnord.com • www.tecnord.com