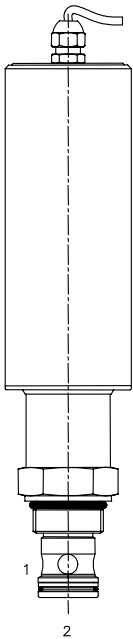


AJ-RVR MOTORIZED PILOT OPERATED RELIEF VALVE



DESCRIPTION

16 size, 1 5/16-12 thread, "Super" series, motorized adjustable pilot-operated pressure relief valve.

OPERATION

The AJ-RVR blocks flow from (2) to (1) until sufficient pressure is present at (2). The setting of the AJ-RVR can be adjusted to any value between 14 and 245 bar (200-3500 PSI) applying electrical power to the motor. The setting does not change unless the electrical motor is activated. Reverse flow (1) to (2) occurs when the pressure at (1) is at least 2.1 bar (30 PSI) higher than at port (2).

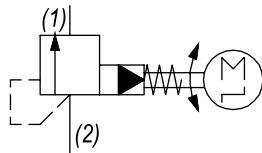
FEATURES

- Hardened parts for long life.
- Industry common cavity.
- Fine low-torque adjustment.

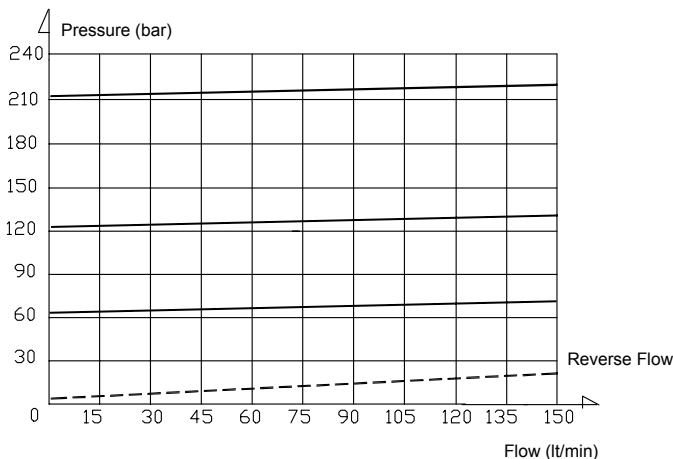


Adjustable via 12/24 VDC signal, no electronic driver required. A built-in position transducer with an analog output is available on request.

HYDRAULIC SYMBOL



PERFORMANCE



VALVE SPECIFICATIONS

Max Controlled Flow	37 GPM (140 LPM)
Max Operating Pressure	3500 PSI (241 bar)
Viscosity Range	36 to 3000 SSU (3 to 647 cSt)
Filtration	ISO 18/16/13
Media Operating Temp. Range	-40° to 250°F (-40° to 120°C)
Weight	2.24 lbs (1.02 kg)
Operating Fluid Media	General Purpose Hydraulic Fluid
Cartridge Torque Requirements	90 ft-lbs (122 Nm)
Current Draw	300 mA (12 VDC) / 150 mA (24 VDC)
Electrical Connection	Double lead wire - Length: 50-60 cm
Cavity	SUPER 2W
Cavity Tools Kit (form tool, reamer, tap)	40500017
Seal Kit	21191400

Gear ratio options (see ordering code)	Response time (full closed to full open)
250	12 sec.
500	27 sec.

WARNING: the specifications/application data shown in our catalogs and data sheets are intended only as a general guide for the product described (herein). Any specific application should not be undertaken without independent study, evaluation, and testing for suitability.

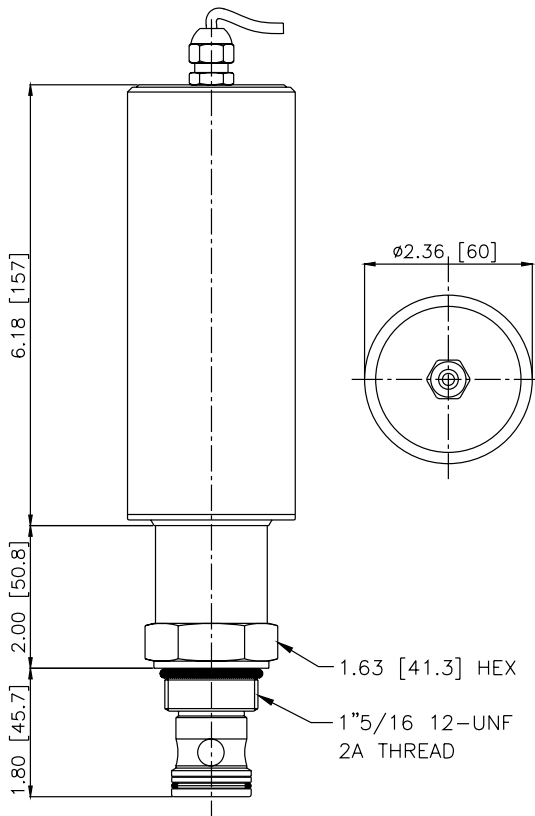


4484 Boeing Drive Rockford, IL 61109 • USA • Phone +1 (815) 397-6628 • Fax +1 (815) 397-2526
 mail: delta@delta-power.com • www.delta-power.com



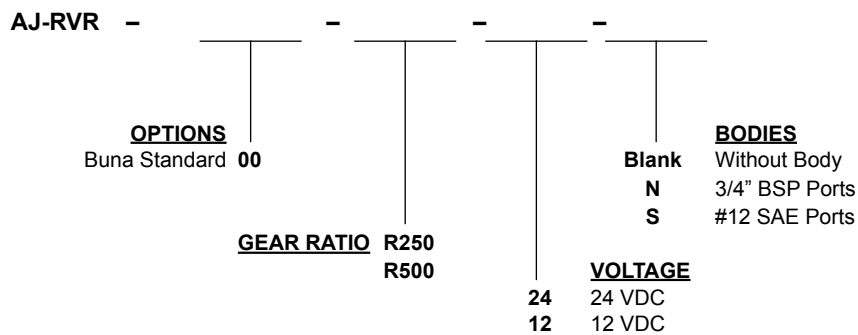
Via Malavolti, 36 • 41122 Modena • ITALY • Phone +39 (059) 254895 • Fax +39 (059) 253512
 mail: tecnord@tecnord.com • www.tecnord.com

DIMENSIONS



(for bodies style and sizes see section "Accessories")

ORDERING INFORMATION



W7 / 2017

WARNING: the specifications/application data shown in our catalogs and data sheets are intended only as a general guide for the product described (herein). Any specific application should not be undertaken without independent study, evaluation, and testing for suitability.



4484 Boeing Drive Rockford, IL 61109 • USA • Phone +1 (815) 397-6628 • Fax +1 (815) 397-2526
 mail: delta@delta-power.com • www.delta-power.com



Via Malavolti, 36 • 41122 Modena • ITALY • Phone +39 (059) 254895 • Fax +39 (059) 253512
 mail: tecnord@tecnord.com • www.tecnord.com