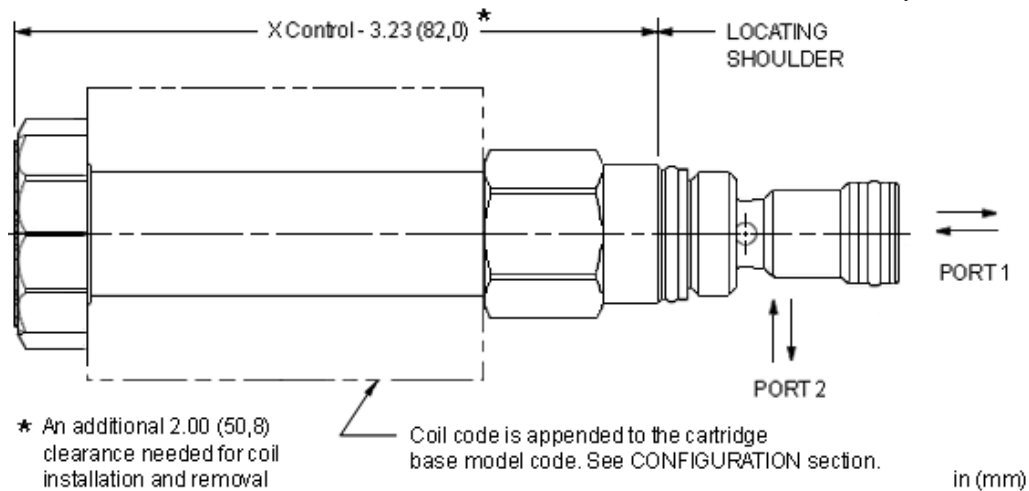


X-Control, C-Poppet

X-Control, H-Poppet

M-Control, C-Poppet

M-Control, H-Poppet



This FLeX Series, solenoid-operated 2-way, 2-position cartridge is a direct-acting directional poppet valve. Available in either normally open or normally closed configurations, these valves feature a pressure-balanced design, low leakage, and allow flow or blocking in both directions.

TECHNICAL DATA

NOTE: DATA MAY VARY BY CONFIGURATION. SEE CONFIGURATION SECTION.

Maximum Operating Pressure	350 bar
Response Time - Typical	50 ms
Maximum Valve Leakage at 110 SUS (24 cSt)	0.07 cc/min.@350 bar
Viscosity Range	2,8 - 380 cSt
Switching Frequency	15,000 max. cycles/hr
Seal kit - Cartridge	Buna: 990162007
Seal kit - Cartridge	Viton: 990162006

- NOTES**
- Please verify cartridge clearance requirements when choosing a Sun manifold. Different valve controls and coils require different clearances.
 - An additional 2.00 inches (50,8 mm) beyond the valve extension is needed for coil installation and removal.

CONFIGURATION OPTIONS

Model Code Example: DTBFXCN

CONTROL	(X) POPPET CONFIGURATION (C)	SEAL MATERIAL	(N) COIL *
X No Manual Override	C Normally Closed	N Buna-N	No coil
M Manual Override	H Normally Open	V Viton	* Additional coil options are available