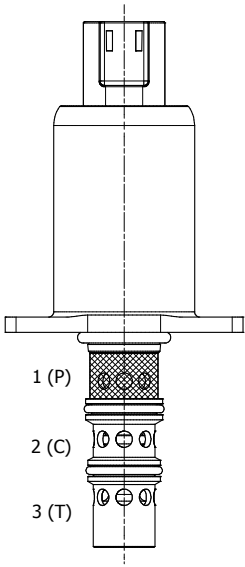


**IP-RDS-222** DIRECT ACTING PROPORTIONAL, PRESSURE REDUCING/RELIEVING, SLIP-IN TYPE



**DESCRIPTION**

Special cavity, slip-in style flange retained, "step bore" direct acting proportional, pressure reducing/relieving valve.

**OPERATION**

The IP-RDS-222 generates a variable pressure in response to a PWM (Pulse Width Modulated) current signal. With no current applied to the proportional solenoid, the inlet port 1 (P) is blocked and the regulated port 2 (C) is vented to port 3 (T). As current is increased, fluid pressure is proportionally controlled at the regulated port 2 (C). On attainment of proportionally determined pressure at 2 (C), the cartridge shifts to block flow at 1 (P), thereby regulating pressure at 2 (C). In this mode, the valve also will relieve 2 (C) to 3 (T) at a variable value over the set reducing pressure.

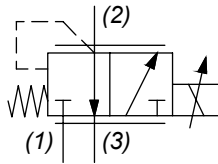
**FEATURES**

- Slip-in style.
- Efficient wet-armature construction.
- Integral waterproof coil.
- Continuous duty rated solenoid.



*Flanged retained product. The coil is an integral part of the valve and is not serviceable. Eventual tank pressure exceeding 0 bar, has to be added to reduced pressure value.*

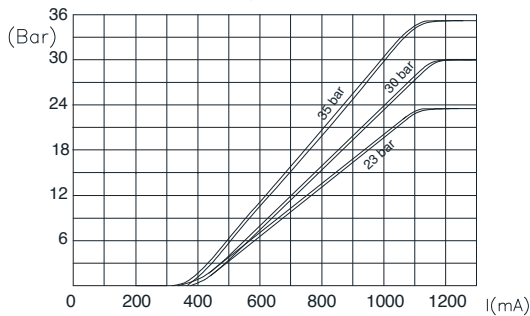
**HYDRAULIC SYMBOL**



**PERFORMANCE**

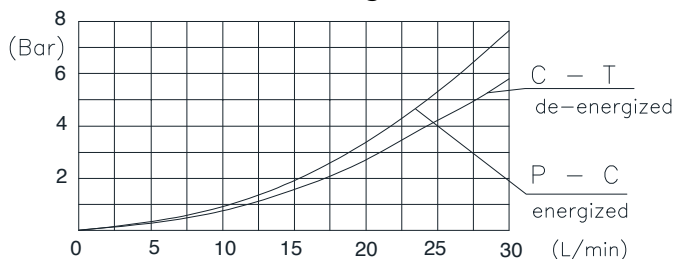
**Pressure Vs. Current Characteristic**

Oil viscosit 46 cSt @ 45°C and PWM 100 Hz



**Pressure Drop**

Oil viscosit 46 cSt @ 45°C



**VALVE SPECIFICATIONS**

Nominal Flow	7.5 GPM (30 LPM) @ 6 bar Delta P
Max Inlet Pressure "L" version	700 PSI (50 bar)
Controlled Pressure Range	0÷23 bar / 0÷30 bar / 0÷35 bar (see graph)
Reduced Pressure Tolerance	±5%
Max Back-Pressure at T Port	25 bar
Internal Leakage	15 ml/min @ 500 PSI (35 bar) inlet
Viscosity Range	36 to 3000 SSU (3 to 647 cSt)
Filtration	ISO 18/15/13
Media Operating Temp. Range	-30°C / +100°C
Weight	.58 lbs (.27 kg)
Operating Fluid Media	General Purpose Hydraulic Fluid
Cavity	T222
Cavity Tool Kit	K-T222
Flange Mounting Screws and Torque	M4x10 / 3ft-lbs (4 Nm)

**COIL SPECIFICATIONS**

Current Supply Characteristics	PWM (Pulse Width Modulation)
Rated Current Range	200÷1500 (12 V coil) 100÷750 (24 V coil)
PWM or Super-Imposed Dither Freq.	100-200 Hz
Coil Resistance (12 VDC)	5.4 Ohm ±5% at 68°F (20°C)
(24 VDC)	22 Ohm ±5% at 68°F (20°C)
Max Power Consumption	12 Watt (20°C)
Coil Termination	Deutsch-Integral DT04-2P (DT & DH) AMP Jr. Timer 84-9419 (AJ)
Color Connectors	Black
Protection Degree (according to IEC 529)	IP 69K (DT & DH) IP 67 (AJ)

**WARNING:** the specifications/application data shown in our catalogs and data sheets are intended only as a general guide for the product described (herein). Any specific application should not be undertaken without independent study, evaluation, and testing for suitability.

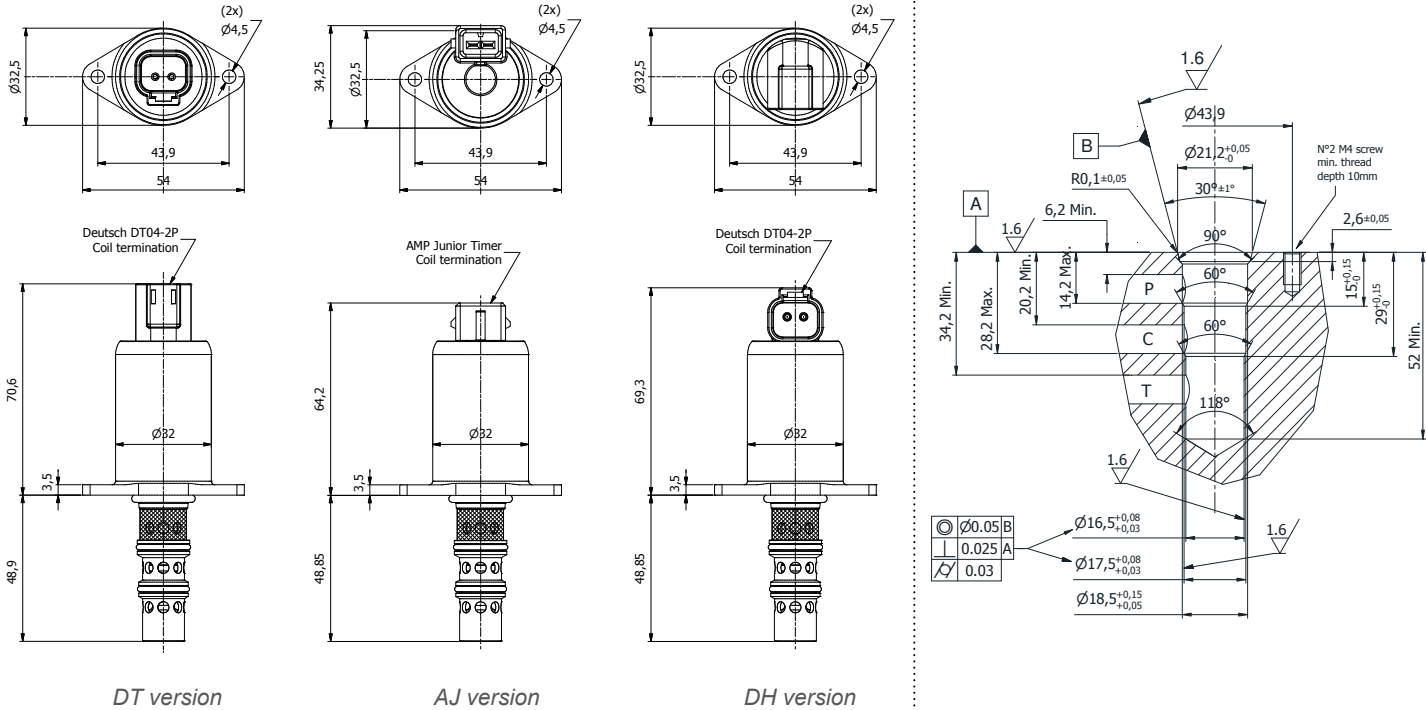


4484 Boeing Drive Rockford, IL 61109 • USA • Phone +1 (815) 397-6628 • Fax +1 (815) 397-2526  
mail: delta@delta-power.com • www.delta-power.com



Via Malavolti, 36 • 41122 Modena • ITALY • Phone +39 (059) 254895 • Fax +39 (059) 253512  
mail: tecnord@tecnord.com • www.tecnord.com

DIMENSIONS



ORDERING INFORMATION

IP-RDS-222	COIL TERMINATION	VOLTAGE	INLET PRESSURE	MAX REGULATED PRESSURE	OPTIONS	BODIES
	AJ - AMP Jr. Timer	12 VDC	L - up to 700 PSI (50 bar)	23 bar	A0 - NBR seals and 300 μm (50 mesh) screen on port 2	Blank - Without body
	DT - Deutsch DT04	24 VDC		30 bar		N - 3/8" BSP Ports
	DH - Deutsch DT04 Horizontal			35 bar		

W 5 / 2018

WARNING: the specifications/application data shown in our catalogs and data sheets are intended only as a general guide for the product described (herein). Any specific application should not be undertaken without independent study, evaluation, and testing for suitability.



4484 Boeing Drive Rockford, IL 61109 • USA • Phone +1 (815) 397-6628 • Fax +1 (815) 397-2526  
 mail: delta@delta-power.com • www.delta-power.com



Via Malavolti, 36 • 41122 Modena • ITALY • Phone +39 (059) 254895 • Fax +39 (059) 253512  
 mail: tecnord@tecnord.com • www.tecnord.com