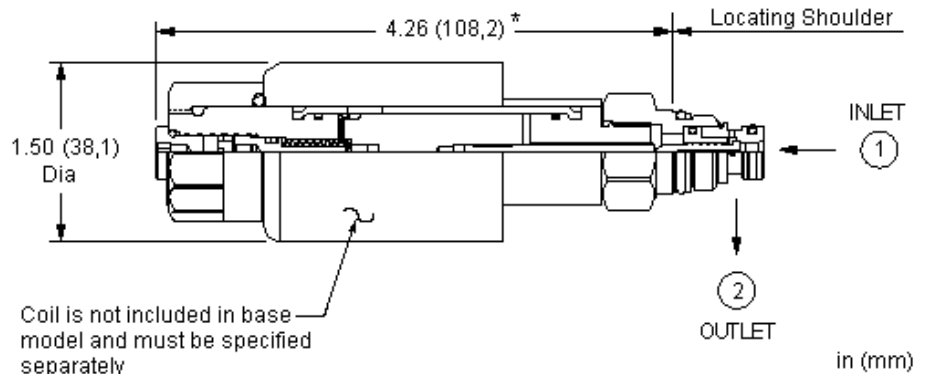


* An additional 2.00 (50,8) clearance is needed for coil installation and removal



This 2-port, pilot-stage, direct-acting relief cartridge is an electro-proportionally controlled, normally-closed pressure regulating valve. The valve is spring biased closed to its highest setting (customer specified). Increasing current to the coil will proportionally decrease the pressure setting. When the pressure at port 1 (inlet) is sufficient to overcome the spring force minus the solenoid force, as determined by the analog input signal, the poppet lifts and allows flow from port 1 to port 2 (outlet). This pilot control cartridge utilizes the T-8A cavity so it can be used in conjunction with Sun's main stage, pressure control elements.

TECHNICAL DATA

NOTE: DATA MAY VARY BY CONFIGURATION. SEE CONFIGURATION SECTION.

Maximum Operating Pressure	350 bar
Maximum Valve Leakage at Reseat	25 cc/min.
Reseat	>85% of setting
Seal kit - Cartridge	Buna: 990208007
Seal kit - Cartridge	Viton: 990208006

CONFIGURATION OPTIONS

Model Code Example: RBANXAN

CONTROL	(X) ADJUSTMENT RANGE	(A) SEAL MATERIAL	(N) COIL *
X No Manual Override	A 3000 - 1500 psi (105 - 210 bar) B 1500 - 800 psi (55 - 105 bar) D 800 - 300 psi (20 - 55 bar) W 5000 - 3000 psi (210 - 350 bar)	N Buna-N V Viton	No coil 212 DIN 43650-Form A, 12 VDC 224 DIN 43650-Form A, 24 VDC 712 Twin Lead, 12 VDC 724 Twin Lead, 24 VDC 912 Deutsch DT04-2P, 12 VDC 924 Deutsch DT04-2P, 24 VDC

* Additional coil options are available