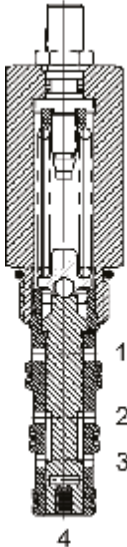


DG-PSO SEQUENCE VALVE, 2 WAY NORMALLY OPEN, EXTERNAL PILOT



DESCRIPTION

10 size, 7/8-14 thread, "Delta" series, 2 way normally open sequence valve, external pilot.

OPERATION

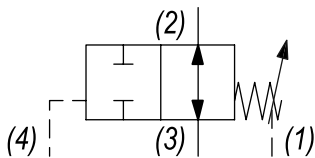
The DG-PSO in neutral (un-piloted), allows flow between (3) and (2) bi-directionally. The spring chamber is constantly vented at (1). On attainment of a predetermined pressure at (4), the cartridge shifts to block flow from (3) to (2).

Note: that the backpressure value at (1) must be added to the selected pressure setting to determine pilot pressure necessary to close valve.

FEATURES

- Optional spring ranges to 1500 PSI (103 bar).
- Hardened parts for long life.
- Industry common cavity.

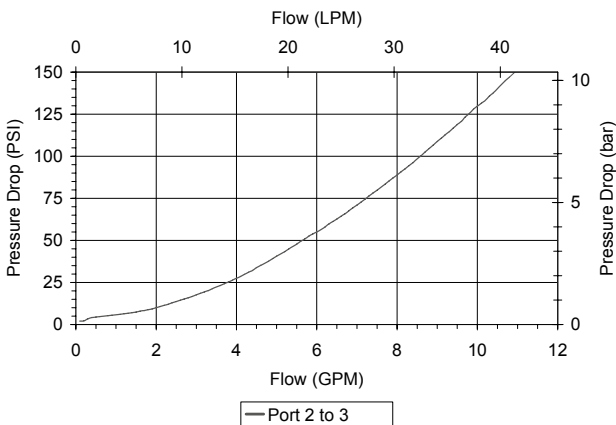
HYDRAULIC SYMBOL



Orifice .030 to .060 diameter recommended beneath port (4).

PERFORMANCE

Actual Test Data (Cartridge Only)



VALVE SPECIFICATIONS

Nominal Flow	10 GPM (38 LTR/M)
Rated Operating Pressure	3000 PSI (207 bar)
Typical Internal Leakage (150 SSU)	5 cu in/min (82 ml/min)
Viscosity Range	36 to 3000 SSU (3 to 647 cSt)
Filtration	ISO 18/16/13
Media Operating Temp. Range	-40° to 250°F (-40° to 120°C)
Weight	.62 lbs (.28 kg)
Operating Fluid Media	General Purpose Hydraulic Fluid
Cartridge Torque Requirements	30 ft-lbs (40.6 Nm)
Cavity	DELTA 4W
Cavity Form Tool (Finishing)	40500002
Seal Kit	21191214

WARNING: the specifications/application data shown in our catalogs and data sheets are intended only as a general guide for the product described (herein). Any specific application should not be undertaken without independent study, evaluation, and testing for suitability.

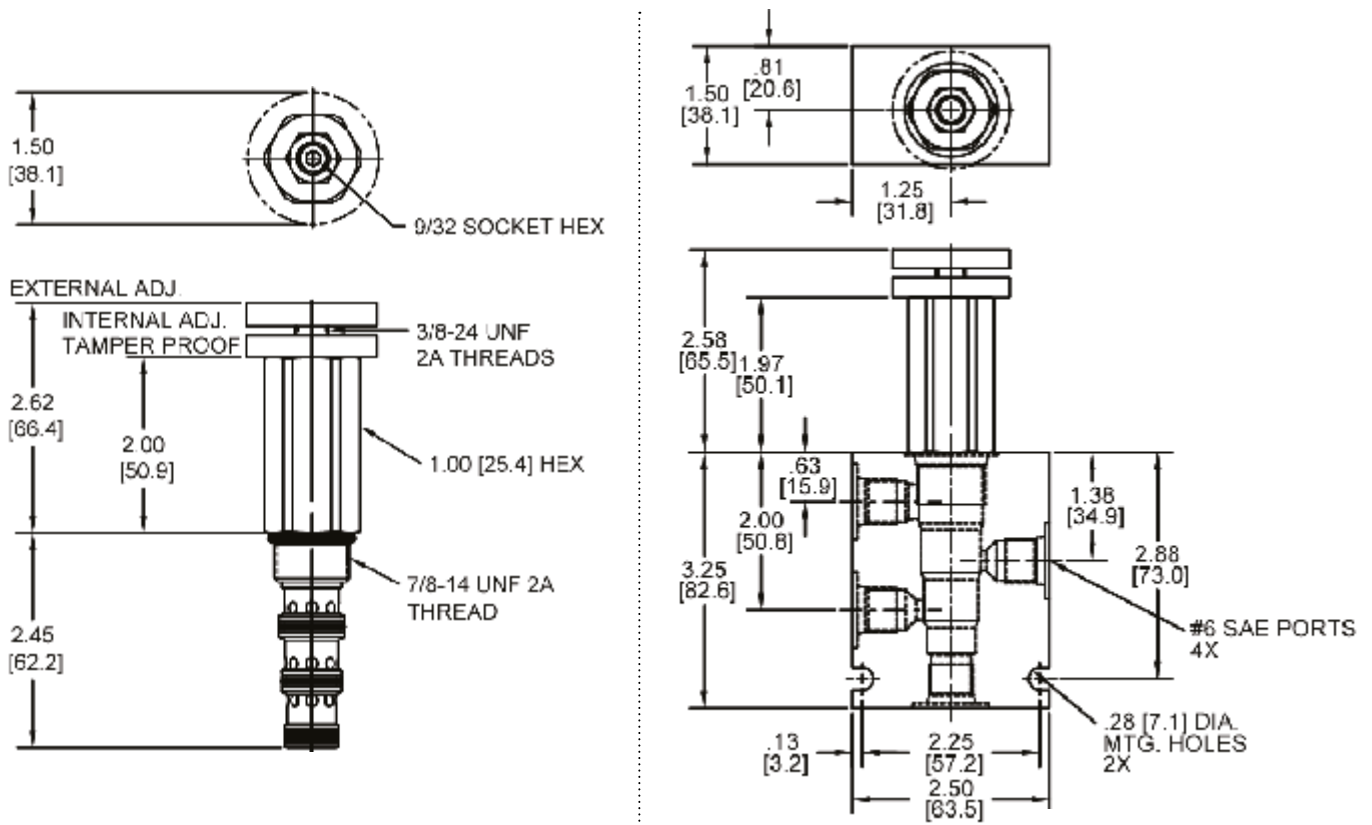


4484 Boeing Drive Rockford, IL 61109 • USA • Phone +1 (815) 397-6628 • Fax +1 (815) 397-2526
 mail: delta@delta-power.com • www.delta-power.com



Via Malavolti, 36 • 41122 Modena • ITALY • Phone +39 (059) 254895 • Fax +39 (059) 253512
 mail: tecnord@tecnord.com • www.tecnord.com

DIMENSIONS



Body Weight: .99 lbs (.45 kg)

ORDERING INFORMATION

<p>DG-PSO - - -</p> <p>OPTIONS</p> <p>Buna Standard 00</p> <p>Viton Standard V0</p> <p>Buna, Knob 0K</p> <p>Viton, Knob VK</p> <p>Buna, Internal Adjust 0I</p> <p>Viton, Internal Adjust VI</p> <p>Buna, Tamper Proof 0T</p> <p>Viton, Tamper Proof VT</p>	<p>BODIES</p> <p>Blank Without Body</p> <p>N 1/4" NPTF Ports</p> <p>S #6 SAE Ports</p>
<p>PRESSURE RANGE</p> <p>0425 50 - 425 PSI</p> <p>1500 425 - 1500 PSI</p>	

Tamper Proof
 Fill in 4 Digit Pressure Setting
 Example: 0500 - 500 PSI

W 40 / 2017

WARNING: the specifications/application data shown in our catalogs and data sheets are intended only as a general guide for the product described (herein). Any specific application should not be undertaken without independent study, evaluation, and testing for suitability.



4484 Boeing Drive Rockford, IL 61109 • USA • Phone +1 (815) 397-6628 • Fax +1 (815) 397-2526
 mail: delta@delta-power.com • www.delta-power.com



Via Malavolti, 36 • 41122 Modena • ITALY • Phone +39 (059) 254895 • Fax +39 (059) 253512
 mail: tecnord@tecnord.com • www.tecnord.com